

DRAWER DIVIDER

MN 2000  
FHM-302

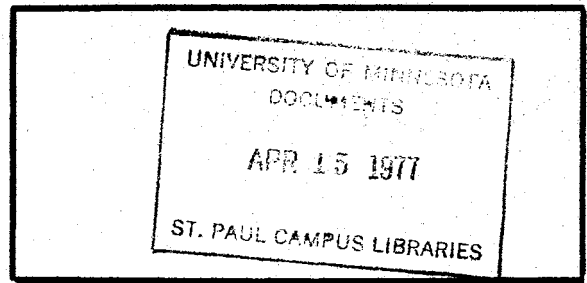
Have you ever lost something because your drawer gets mixed up?

This will help you keep your desk or dresser drawer more organized.

What things will go into this drawer?

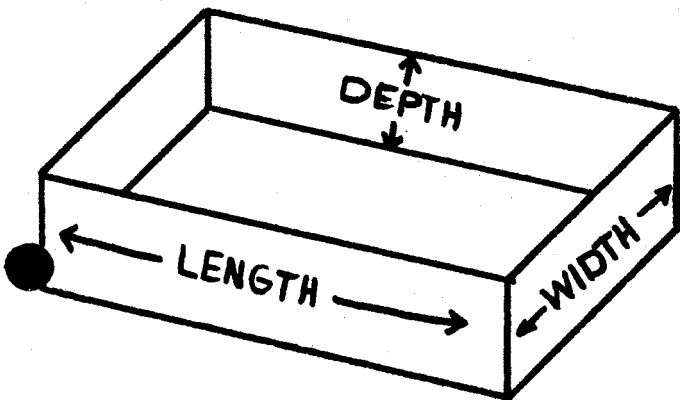
\_\_\_\_\_  
\_\_\_\_\_

1. Make a plan.



Divide this drawer by straight lines. Do you need some bigger or smaller spaces?

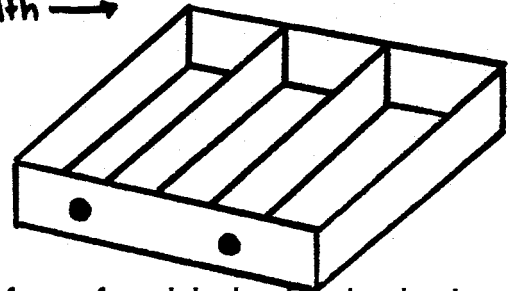
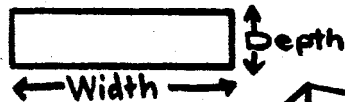
2. Measure the depth \_\_\_\_\_



Width \_\_\_\_\_

Length \_\_\_\_\_

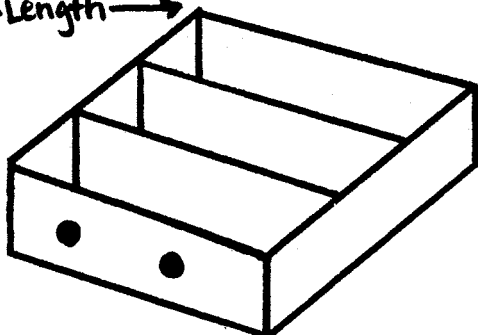
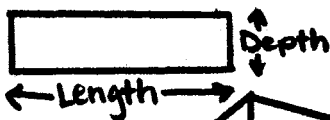
3. From cardboard cut front to back dividers that are the right depth and width.



These go from front to back. Look at your plan. How many do you need?

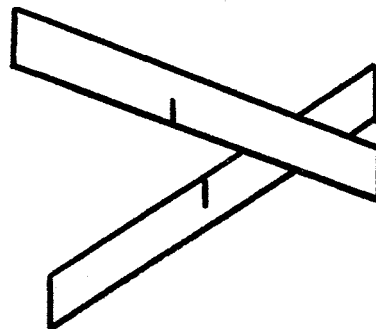
\_\_\_\_\_

4. Now cut the cross pieces. They will be the measurements of the length and depth.



They will go from the left to the right.

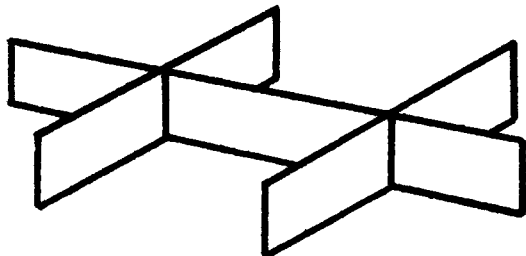
5. Mark where the two dividers meet.



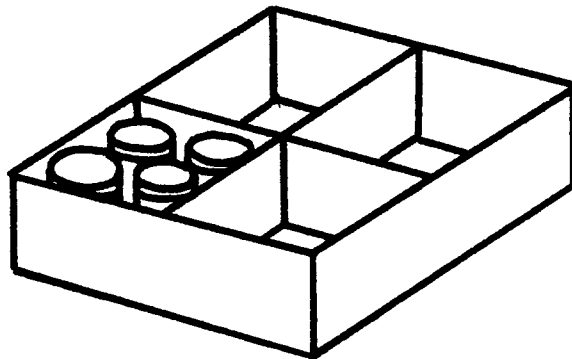
Make a slit on the bottom half of the cross pieces and the top half of the front to back pieces.

This archival publication may not reflect current scientific knowledge or recommendations.  
Current information available from University of Minnesota Extension: <http://www.extension.umn.edu>

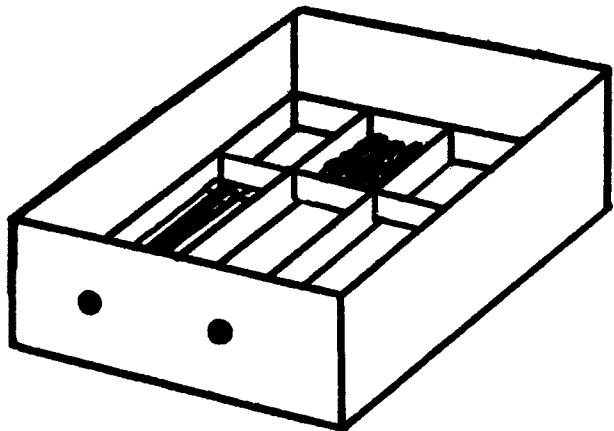
6. They will fit together like puzzle pieces.



7. Use small containers (metal boxes, jars, or cardboard boxes) for small things that get lost like fishing tackle or jewelry or buttons.



Use plastic kitchen divider trays for pencils, rulers, or scissors.



How will a drawer divider help you be more organized?

- won't lose things.
- will find things quickly.
- will remember what I have.
- will find things by myself instead of asking Mom or Dad.
- will become a better self manager!

Authors: Mary Frances Lamison, extension specialist, home management; Sherie Mentzer, curriculum coordinator, 4-H and Youth Development; and Juanita Reed, extension specialist, 4-H and Youth Development.

Issued in furtherance of cooperative extension work in agriculture and home economics, acts of May 8 and June 30, 1914, in cooperation with the U.S. Department of Agriculture. Roland H. Abraham, Director of Agricultural Extension Service, University of Minnesota, St. Paul, Minnesota 55108. We offer our programs and facilities to all people without regard to race, creed, color, sex, or national origin.

UNIVERSITY OF MINNESOTA



3 951 D03 301674 0