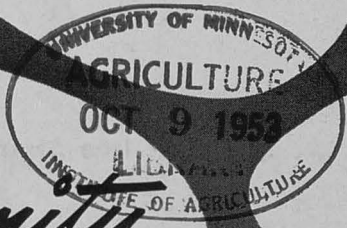
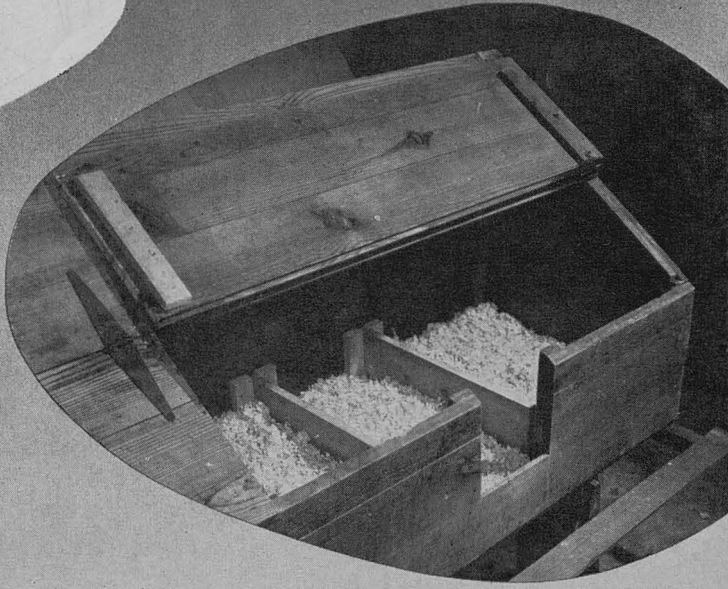


MN 2000 EF
150

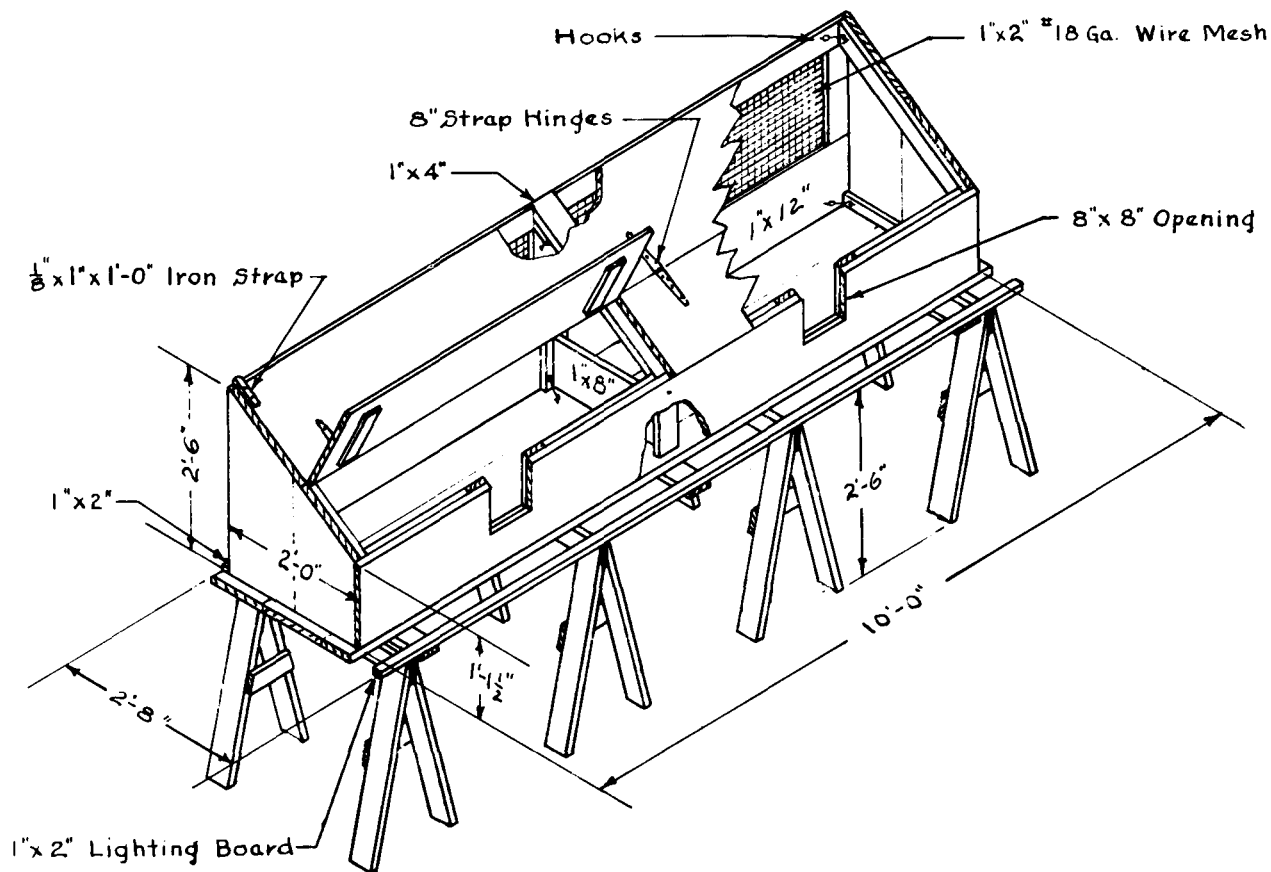
Extension Folder 150
Revised June 1953



Community
NEST
clean-egg nest



UNIVERSITY OF MINNESOTA
Agricultural Extension Service
U. S. DEPARTMENT OF AGRICULTURE



Clean eggs sometimes bring twice as much as dirty eggs. But washing eggs is time consuming and, unless properly done, hastens spoilage.

THE CLEAN-EGG NEST—

- Reduces the number of dirty eggs
- Reduces breakage and egg eating
- Reduces picking
- Saves labor —
 - In care of nests
 - In gathering eggs
 - In preparing eggs for market

Size—2 feet x 10 feet for 150-200 hens

REQUIREMENTS FOR SUCCESS—

Nest must be dark—

Bevel front edge of nest so cover will fit tightly.

Doors in front are preferable to doors in the ends.

Nest must be deep enough to hold six inches of shavings.

Two or three half partitions in a 10-foot length provide more corners, thus making for more complete use of the entire nest.

Start using nest when pullets are beginning to lay.

In summer, the nest should be pulled out from the wall at one end for ventilation.



LOCATION—

Near entrance for easy gathering
All nests on one wall if possible

A double nest consisting of two units built back-to-back (see above) will sometimes provide all the required nest room in one location. Run a half partition lengthwise of the nest. Have doors front and back. Reel on top keeps birds from roosting.

THE HALLWAY NEST—



Another kind of partition for nests is the "hall" partition shown at left. Entrance to the nest proper is back of the hall partition. This makes the nest almost completely dark and assures clean feet.

UNIVERSITY OF MINNESOTA



3 1951 D01 928 757 J

UNIVERSITY OF MINNESOTA, INSTITUTE OF
AGRICULTURE, ST. PAUL 1, MINNESOTA

Cooperative Extension Work in Agriculture and Home Economics, University of Minnesota. Agricultural Extension Service and United States Department of Agriculture Co-operating, Paul E. Miller, Director. Published in furtherance of Agricultural Extension Acts of May 8 and June 30, 1914.

10M-6-53