

stp.govs  
MN  
2000  
FHB  
46

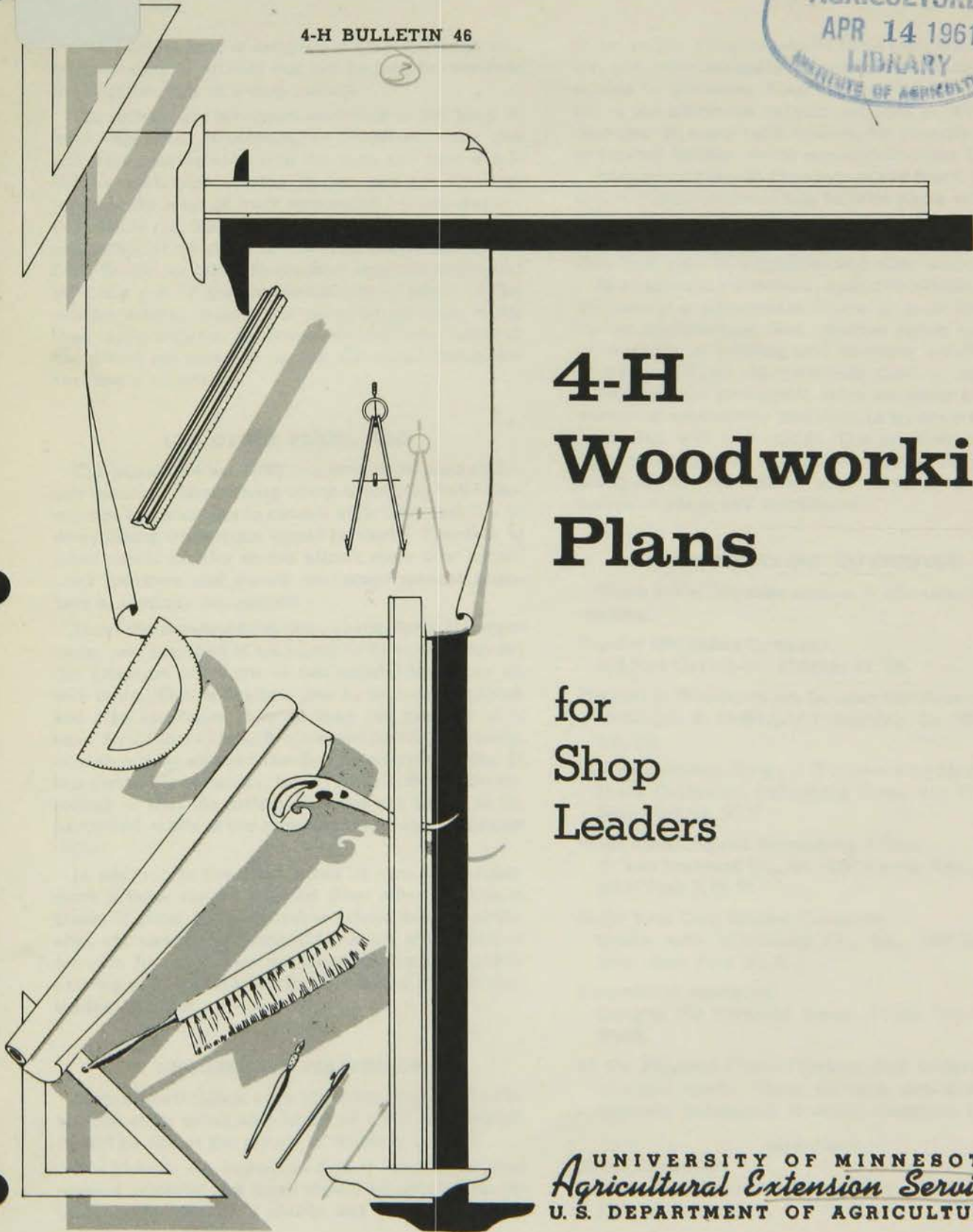
4-H BULLETIN 46



# 4-H Woodworking Plans

for  
Shop  
Leaders

UNIVERSITY OF MINNESOTA  
*Agricultural Extension Service*  
U. S. DEPARTMENT OF AGRICULTURE



This archival publication may not reflect current scientific knowledge or recommendations.  
Current information available from University of Minnesota Extension: <http://www.extension.umn.edu>



# 4-H WOODWORKING PLANS

This bulletin is a reprint of 4-H Bulletin 537, *4-H Woodworking Plans*, by P. J. Mielock, Extension Specialist, Department of Agricultural Engineering, Michigan State University. It is adapted for the 4-H shop project.

This plan bulletin is designed to give you some idea of the variety of articles that can be used to complete the requirements of a shop project.

The articles are not listed according to the level of work, *Apprentice*, *Handyman*, or *Craftsman*, since this will vary considerably with the tools and time available in each club. As the leader, you are the best judge of the level of work into which a particular article would fall. You will want to consider the number and difficulty of skills involved in the construction. Care should be taken to consider only the skills and NOT the size of the completed article. Many of the smaller articles require the same, if not more, skills than larger articles. In some cases you may find that the article can serve as part of the requirements for two levels of work.

## USE OTHER PLANS, TOO

The plans here are NOT intended to be used as the sole means of determining which articles to build. Encourage the members to consult with their families in determining what items would be useful. Freedom to select useful articles should attract more new handicraft members and should encourage present members to continue this project.

From the standpoint of time, particularly in larger clubs, you may find it necessary to have the apprentice members select one or two articles that they all will build. This will allow you to answer questions and give assistance to more than one member at a time. Avoid this approach whenever possible, as members should be allowed freedom in selecting plans. If this method is necessary, however, care should be exercised so that the articles selected are useful to all concerned, while at the same time teaching particular skills.

In addition to the plans given in each area, many more articles can be selected from other sources of plans. If plans for a desirable article are not available, encourage the member to sketch out a plan of his own. In many cases members will want to modify existing plans to make them more useful in their particular situation.

## CHOOSE OWN MATERIALS

Lists of materials are not given for the plans in this bulletin since being able to figure a bill of materials should be one of the results of the shop project.

*The plans do not suggest the type of wood or the finish required.* Material and finish should be selected on the basis of the member's ability and the intended use

of the article. Finishing under table tops, inside drawers, and other normally unseen places should not be carried to extremes. Finishing beyond the intended use of the article for judging purposes should be discouraged. In many farm articles, for example, the use of treated lumber would eliminate further finishing.

In order to keep all the plans in one place, you may find it helpful to place this bulletin along with plans from other sources in a loose leaf notebook. This will also encourage members to add additional plans as they find them in magazines and other sources.

In addition to a notebook, each club should consider purchasing a subscription to one or more magazines in the woodworking field. Besides giving many tips on methods of building and finishing articles, some of the periodicals offer working plans in each issue. Along with the periodicals, there are many books and sources of commercial literature in woodworking that your club will find useful. The creation of a club library, contributed to either directly by the club as a group or by individuals, may serve as a valuable source of plans and techniques.

## WOODWORKING REFERENCES

Given below are some sources of literature in woodworking.

Popular Mechanics Company

200 East Ontario St., Chicago 11, Ill.

Projects in Woodworking, Douglas and Roberts.

McKnight & McKnight Publishing Co., Bloomington, Ill.

Home Craftsman Series of Woodworking Manuals

Home Craftsman Publishing Corp., 115 Worth St., New York 13, N. Y.

Wood Finishing and Refinishing, Gibbic

D. Van Nostrand Co., Inc., 250 Fourth Ave., New York 3, N. Y.

Build Your Own Modern Furniture

Grabe Arco Publishing Co., Inc., 480 Lexington Ave., New York 17, N. Y.

Commercial Literature

Douglas Fir Plywood Assoc., 1119A. St., Tacoma, Wash.

52 Fir Plywood Plans, (Various plan folders and instruction sheets) Plans, patterns, and kits for gun cabinets. Coladonate Brothers, Hazelton, Pa.

Magazines:

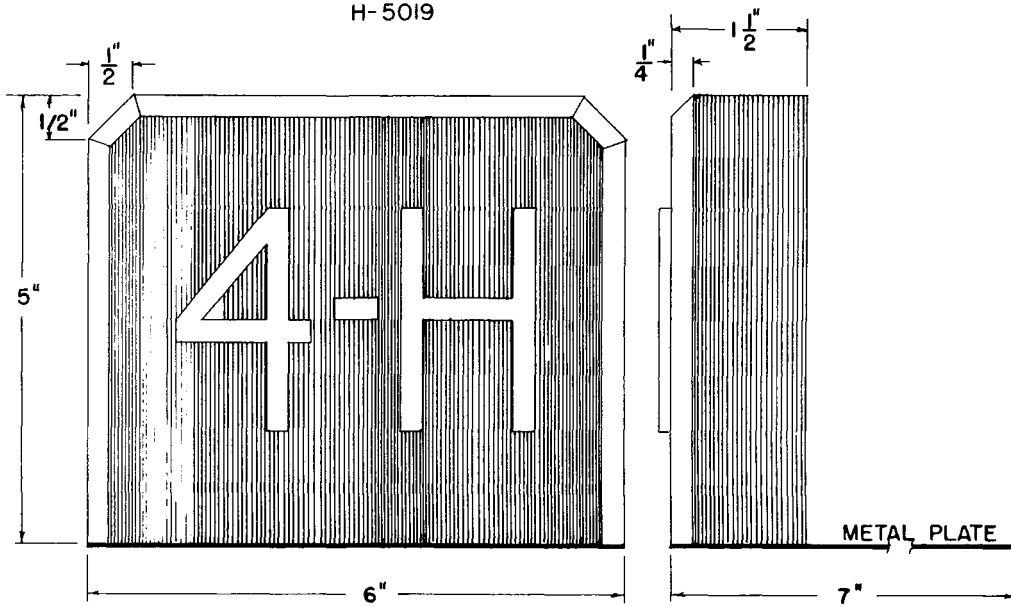
Home Craftsman

Home Craftsman Publishing Corp., 115 Worth St., New York 13, N. Y.

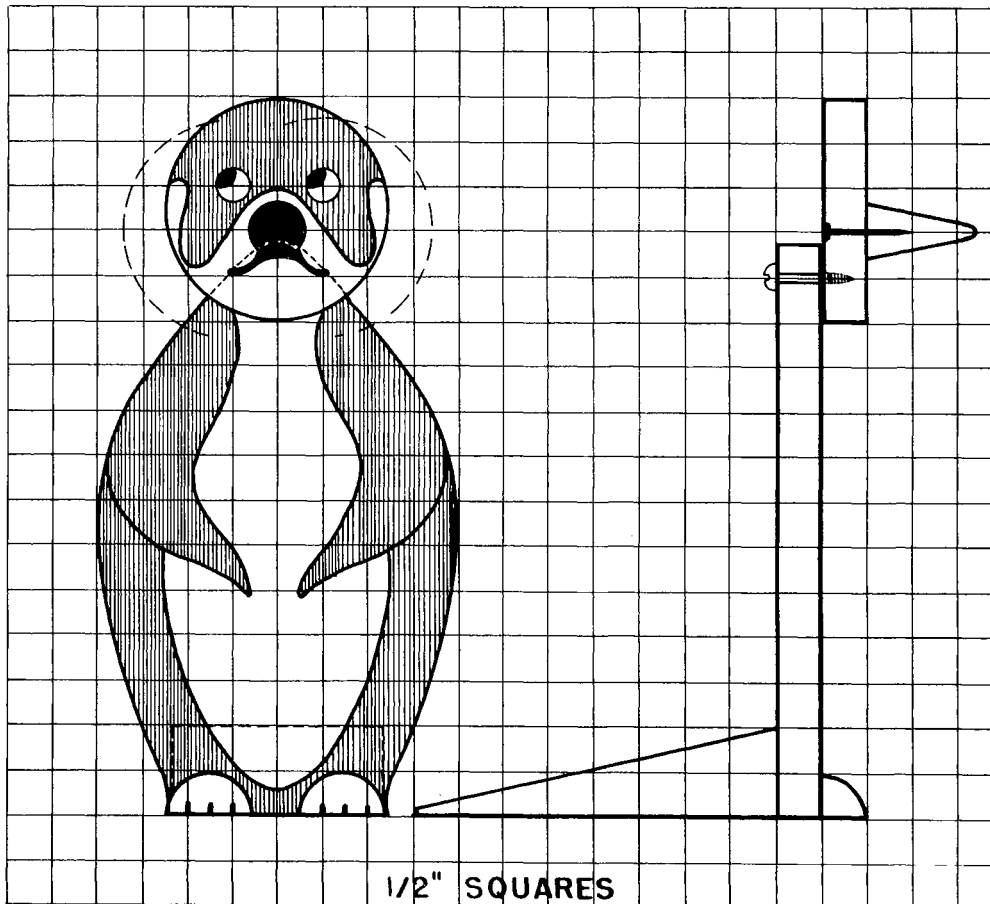


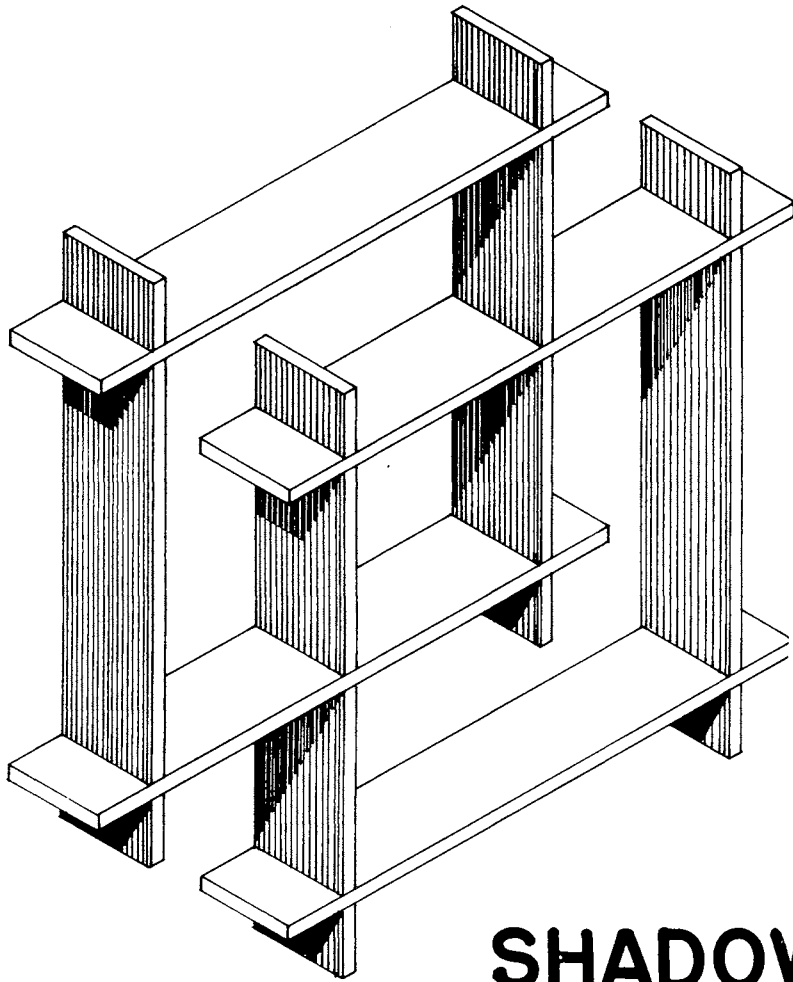
# BOOK ENDS

H-5019



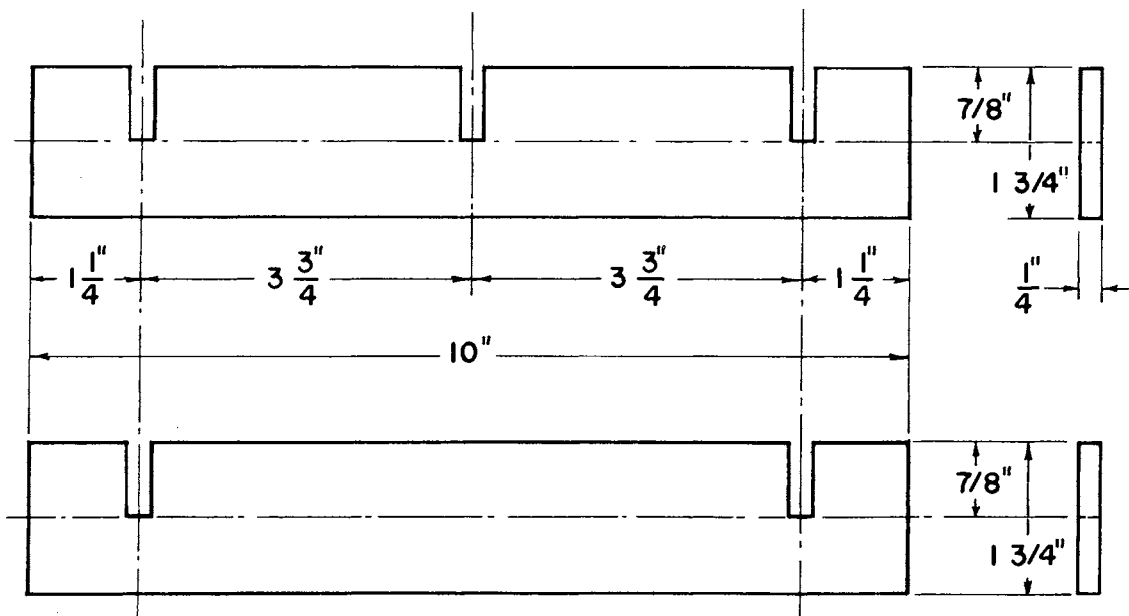
# PENGUIN DOOR HOLDER





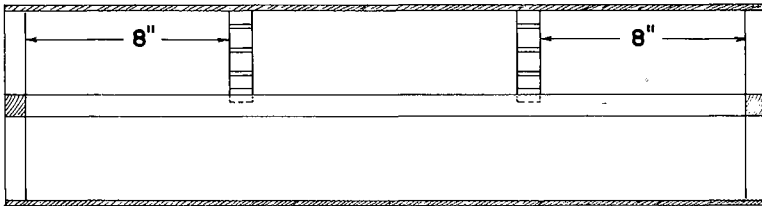
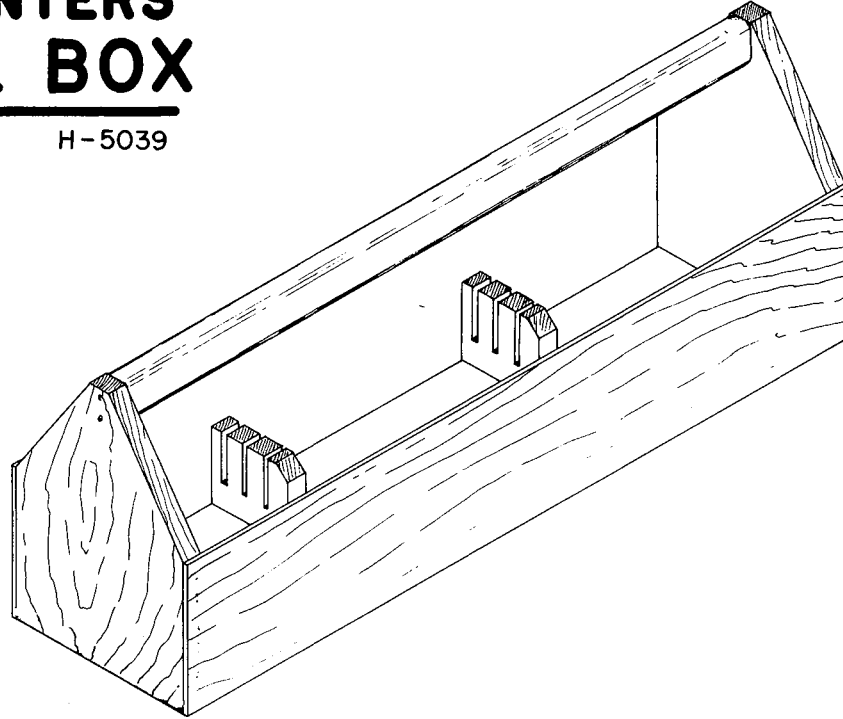
# SHADOWBOX

H-5029

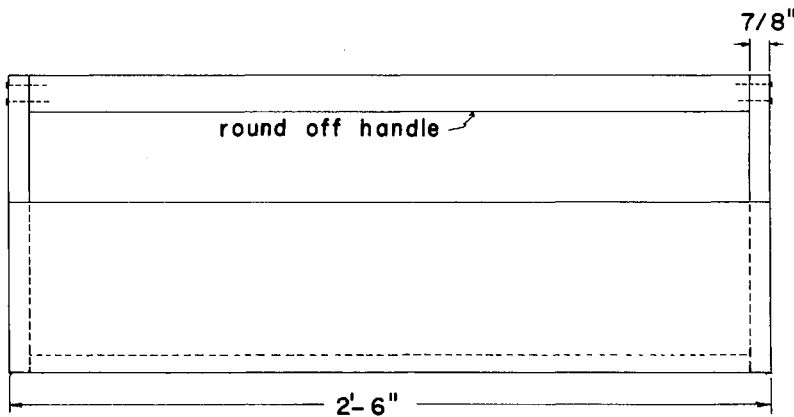


# CARPENTERS TOOL BOX

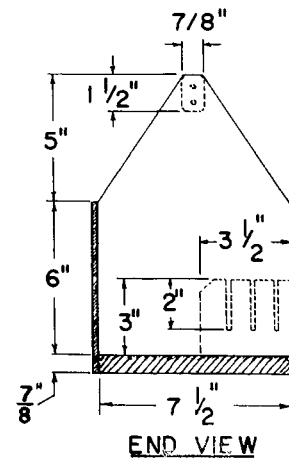
H-5039



TOP VIEW

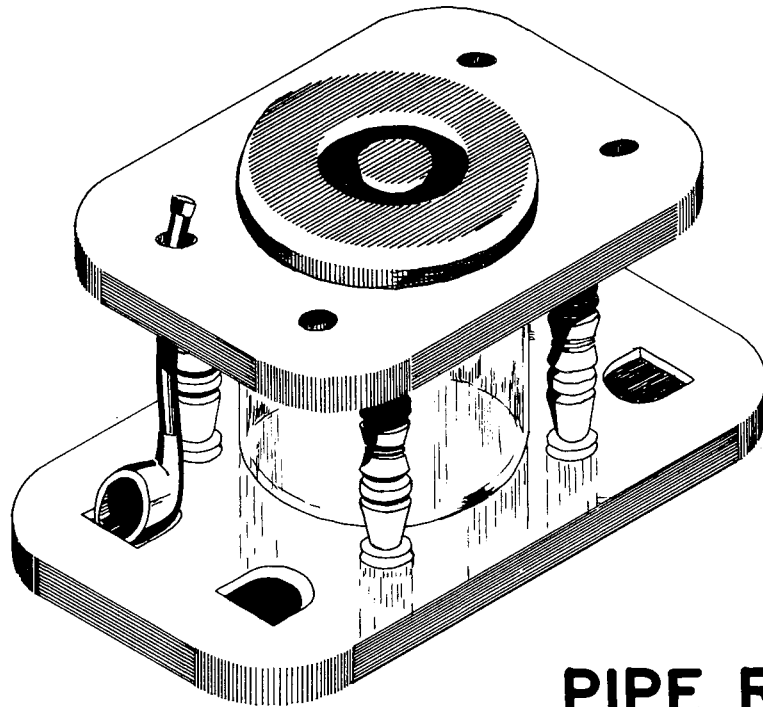


SIDE VIEW



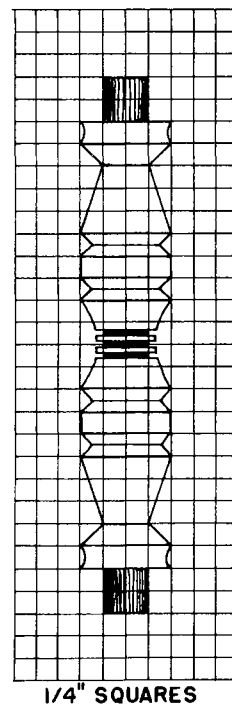
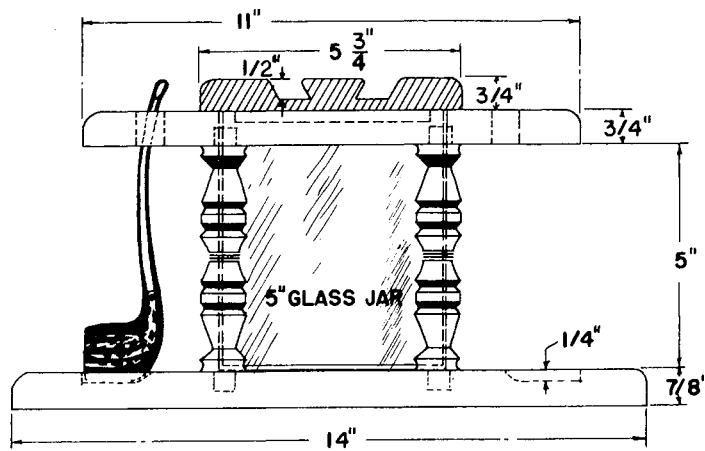
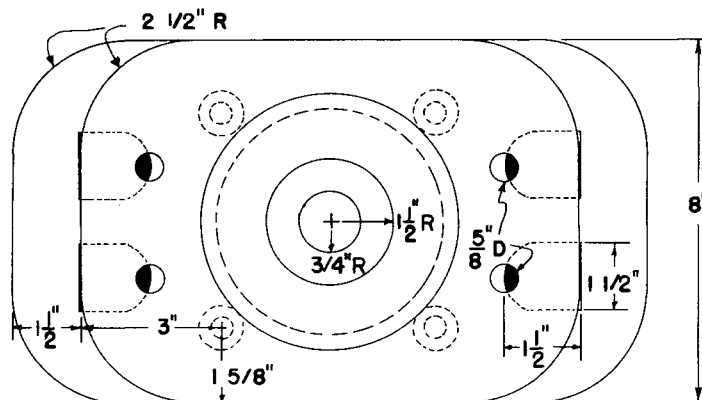
END VIEW





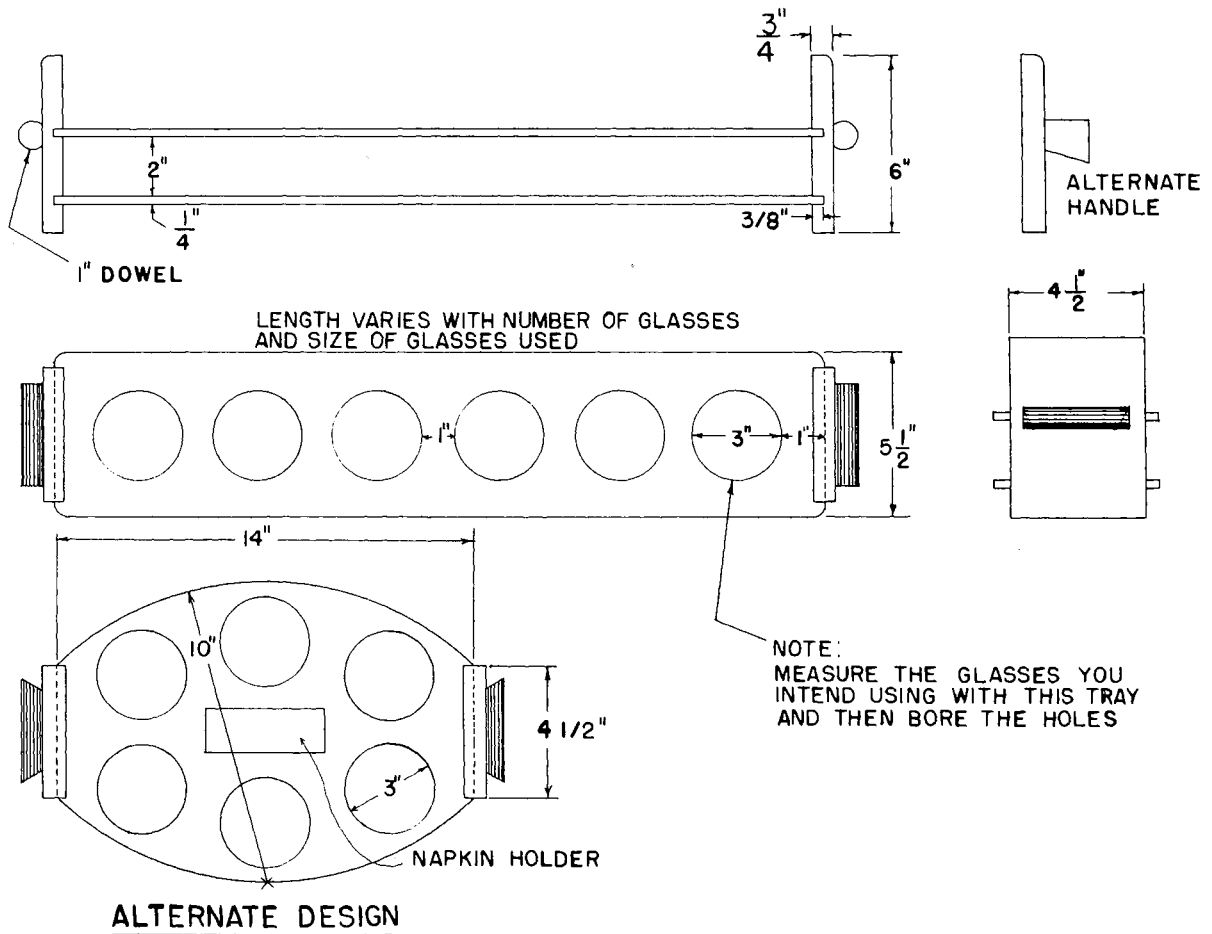
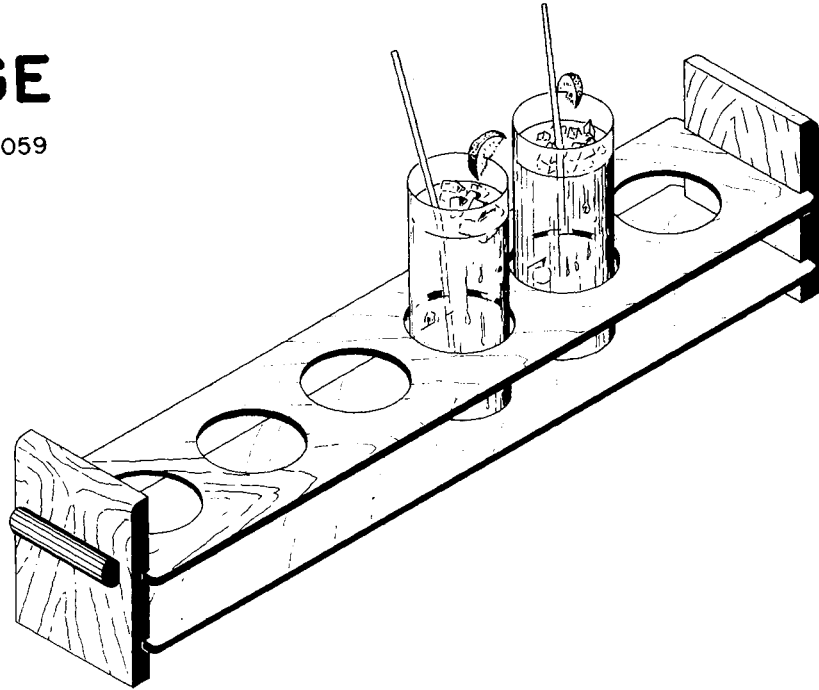
# PIPE RACK

H-5049



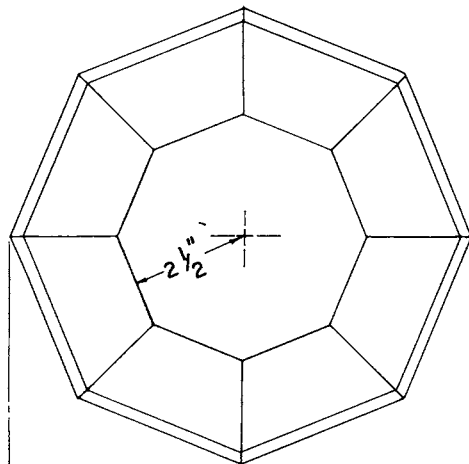
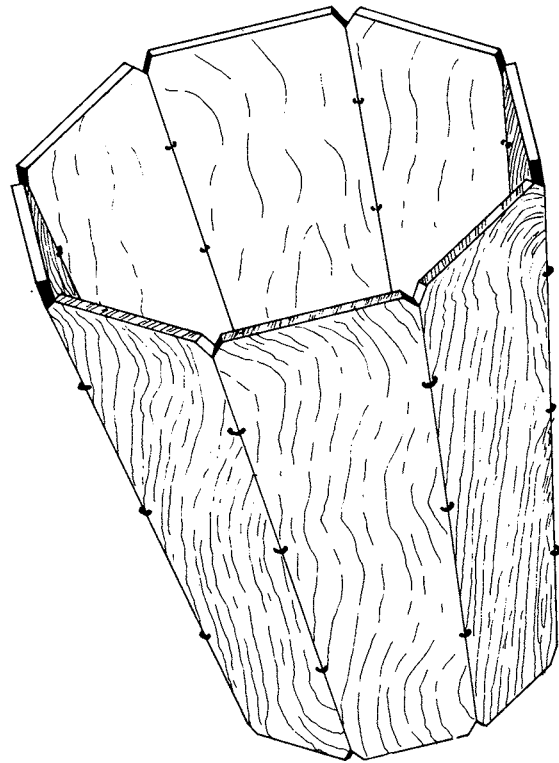
# BEVERAGE TRAYS

H-5059

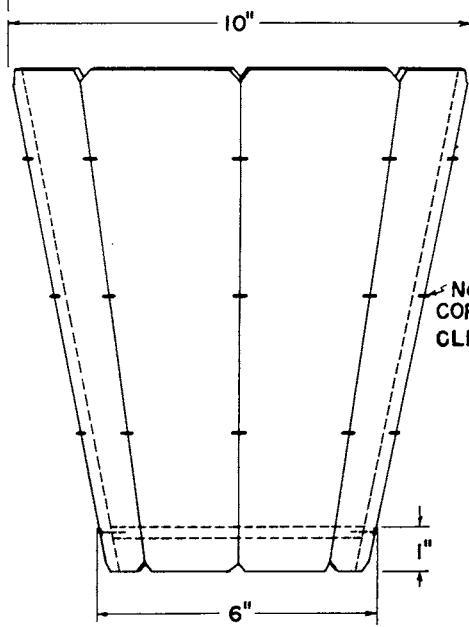


# WASTE PAPER BASKET

H-5069

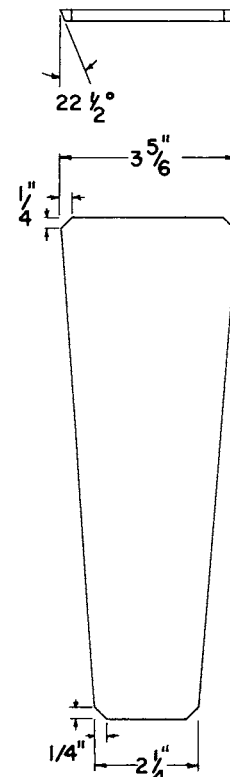
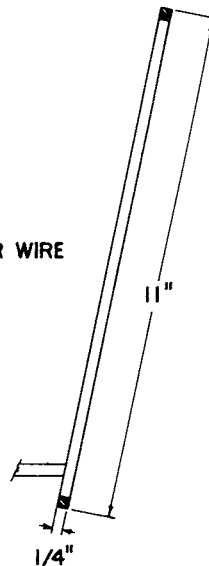


TOP VIEW

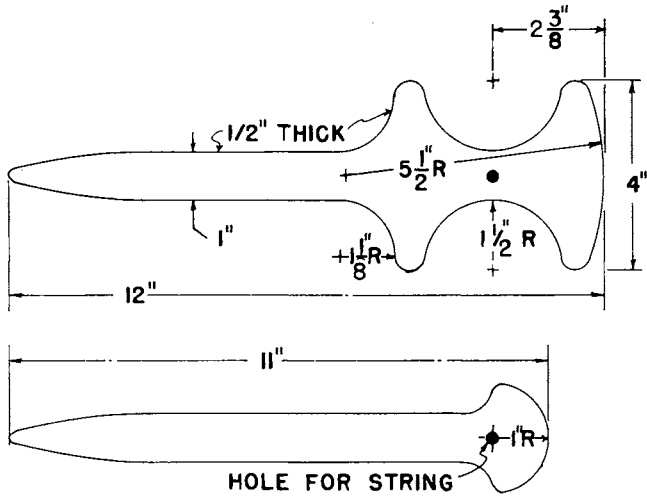


SIDE VIEW

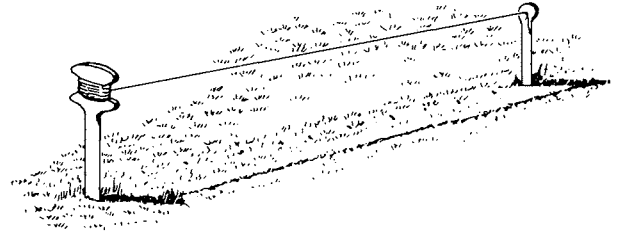
No. 10  
COPPER WIRE  
CLIP



CONSTRUCTION DETAILS

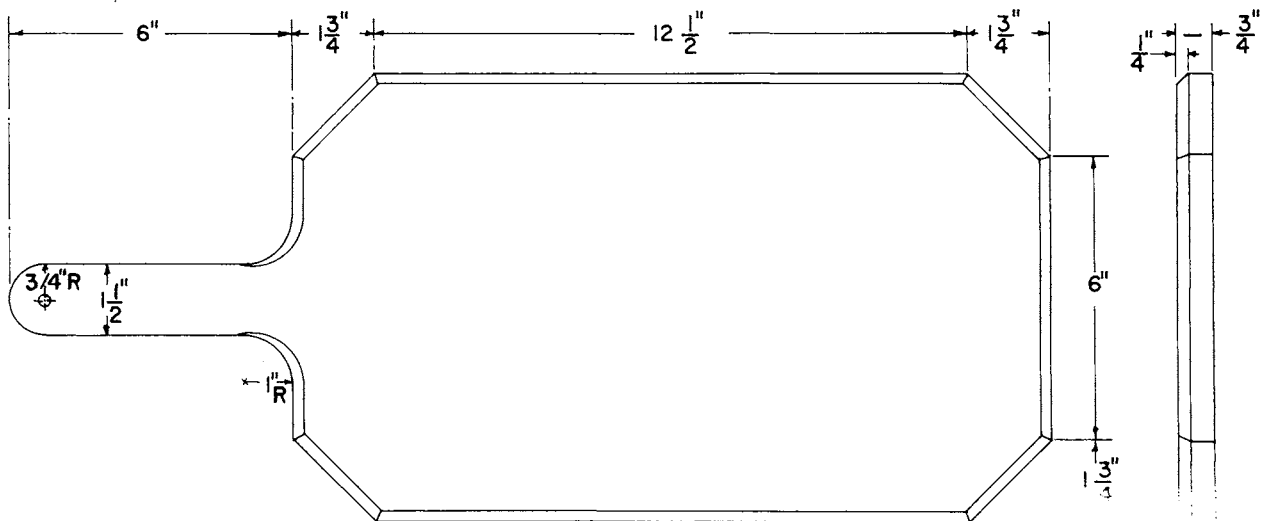
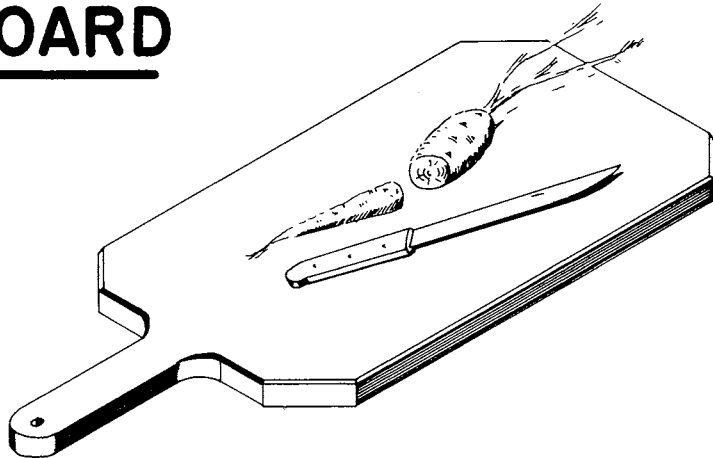


# GARDEN REEL & STAKE



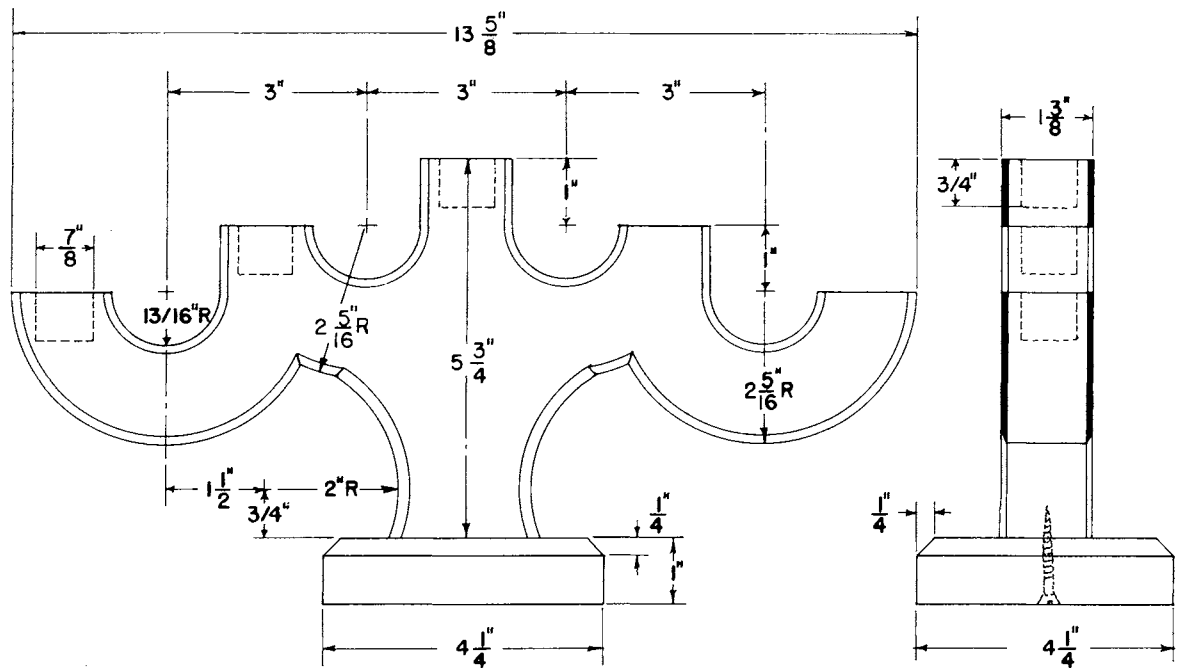
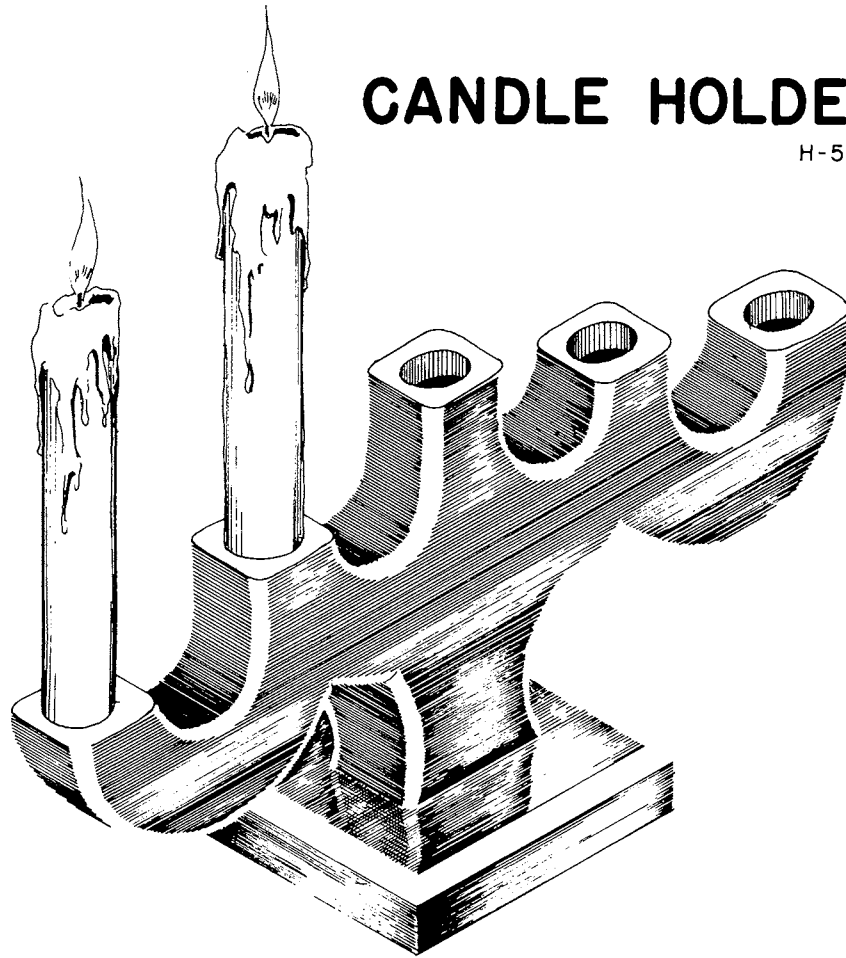
# CUTTING BOARD

H-5079



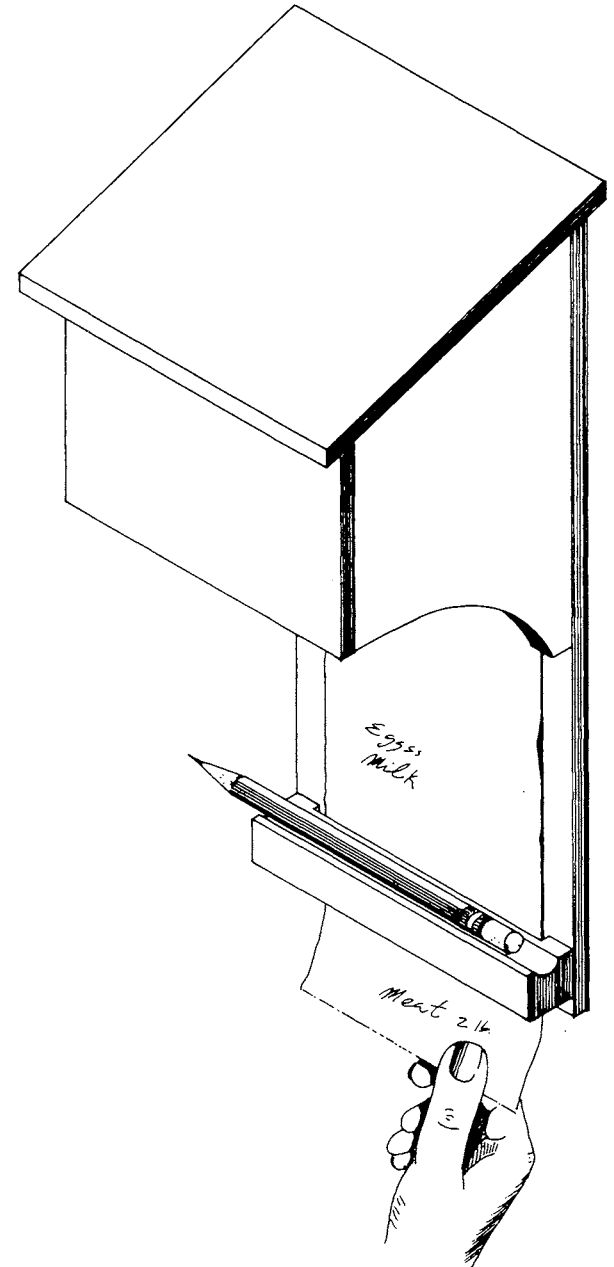
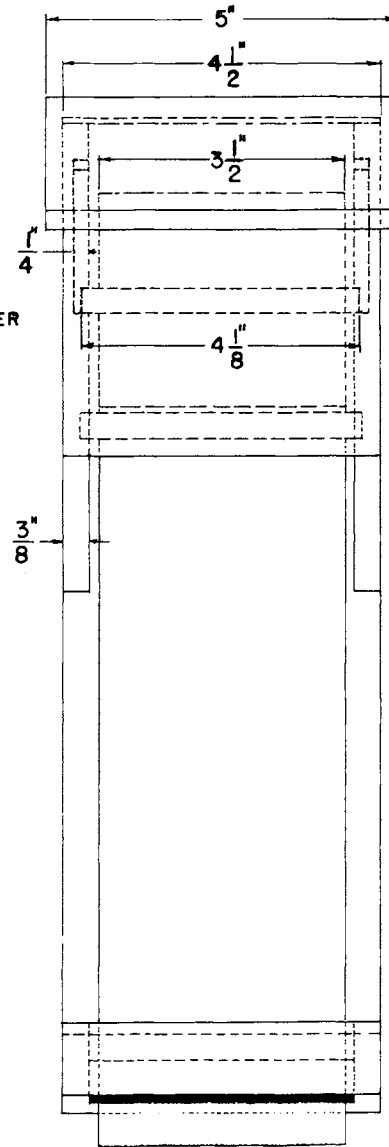
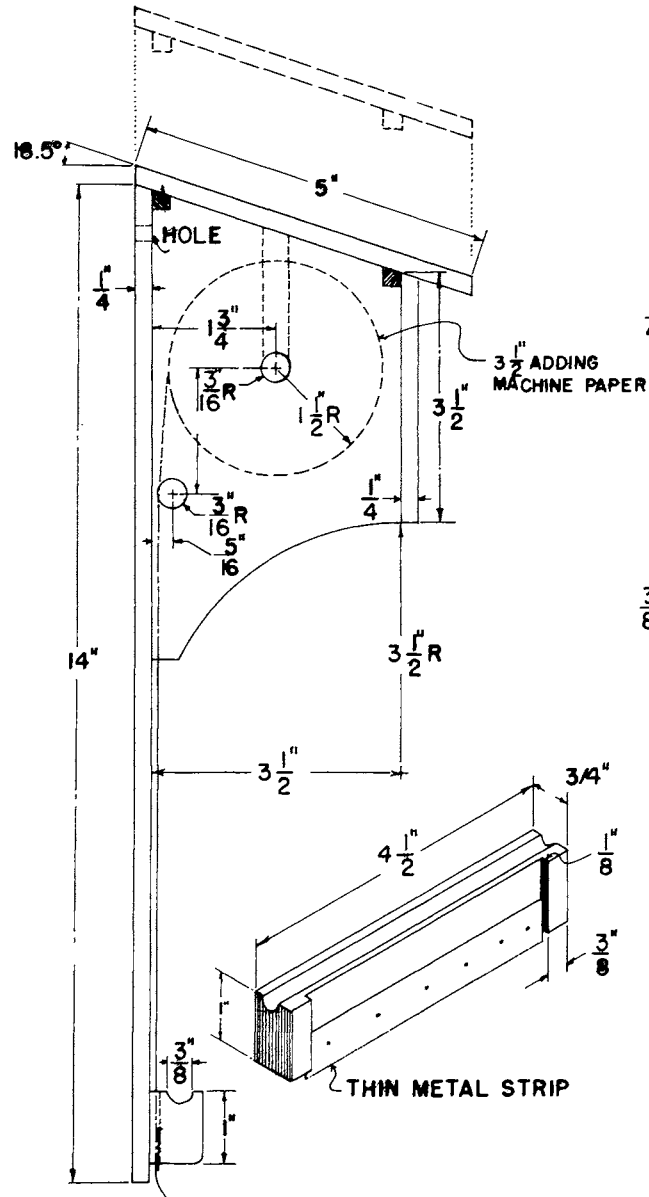
# CANDLE HOLDER

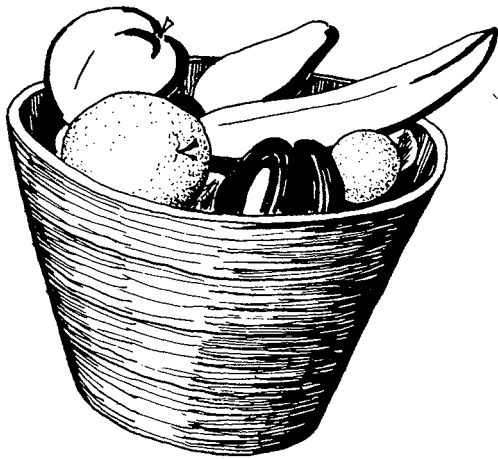
H-5089



# NOTE HOLDER

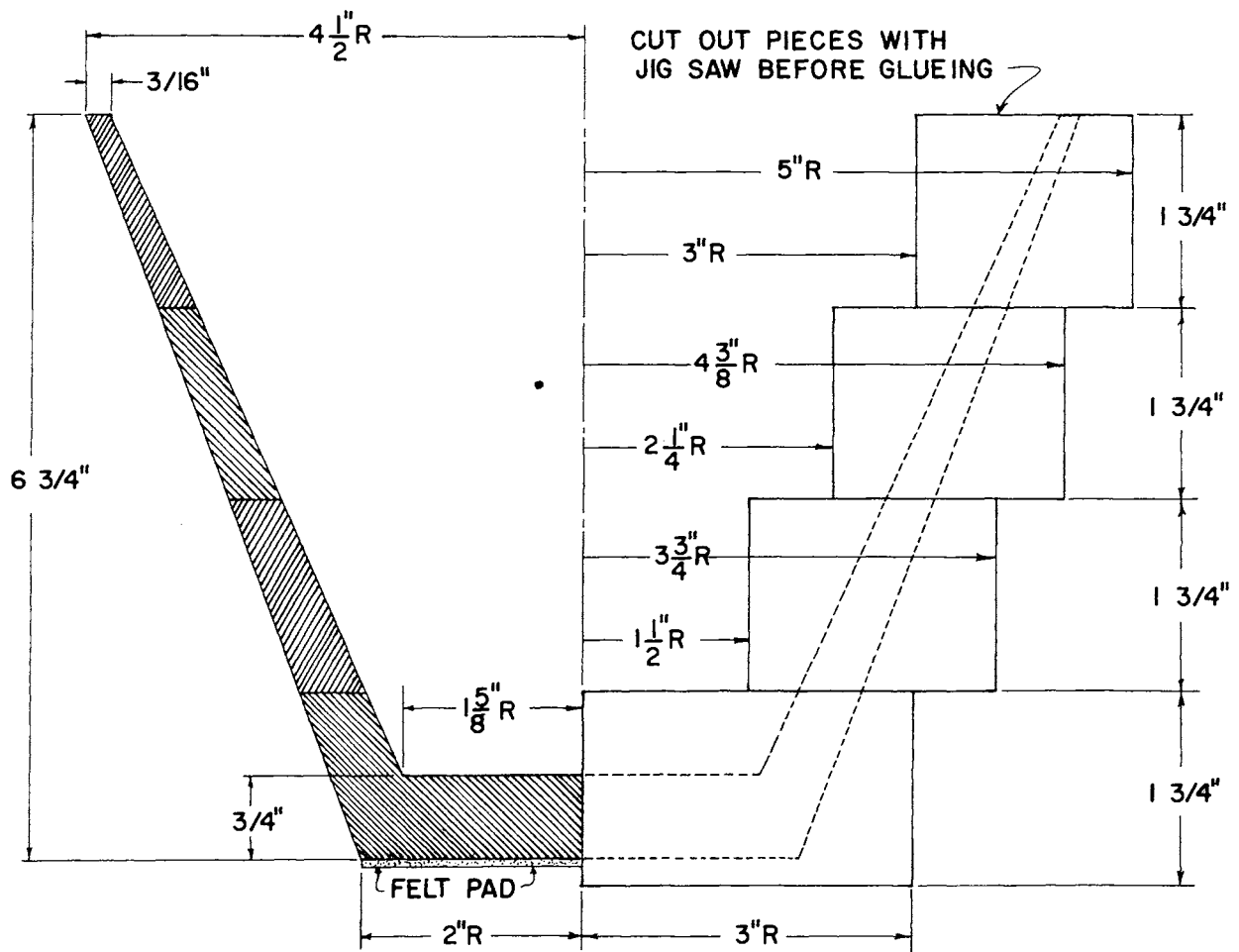
H-5099

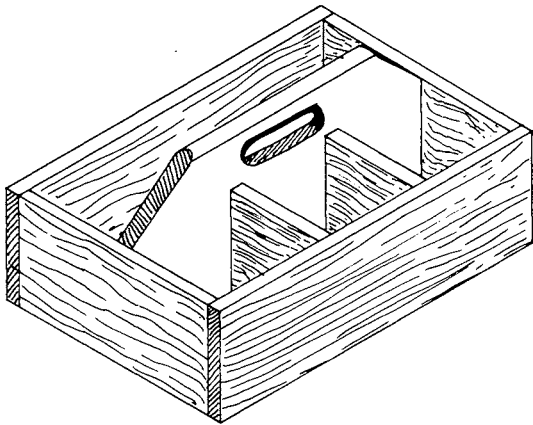




# DECORATIVE BOWL

H-5109

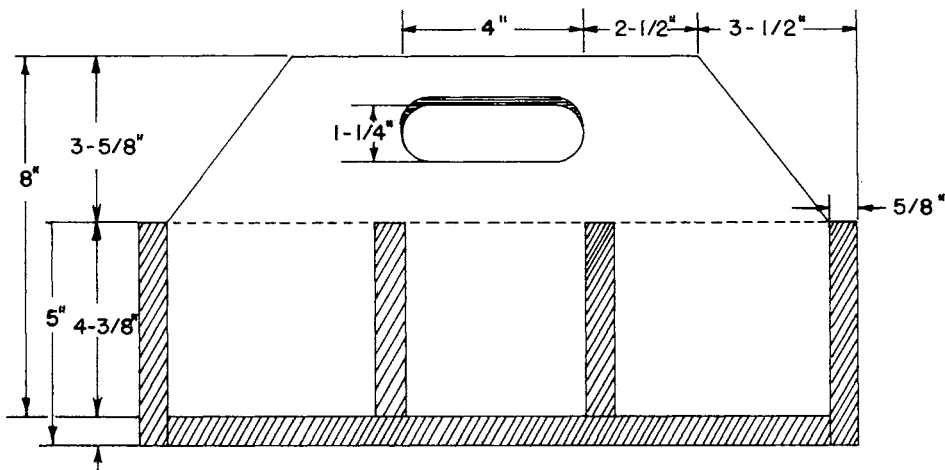




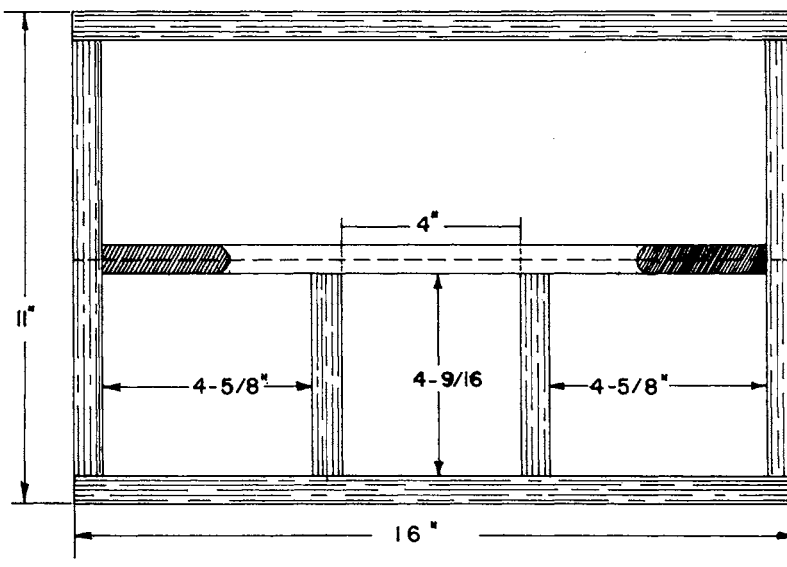
# TOOL & NAIL

## BOX

H - 5119

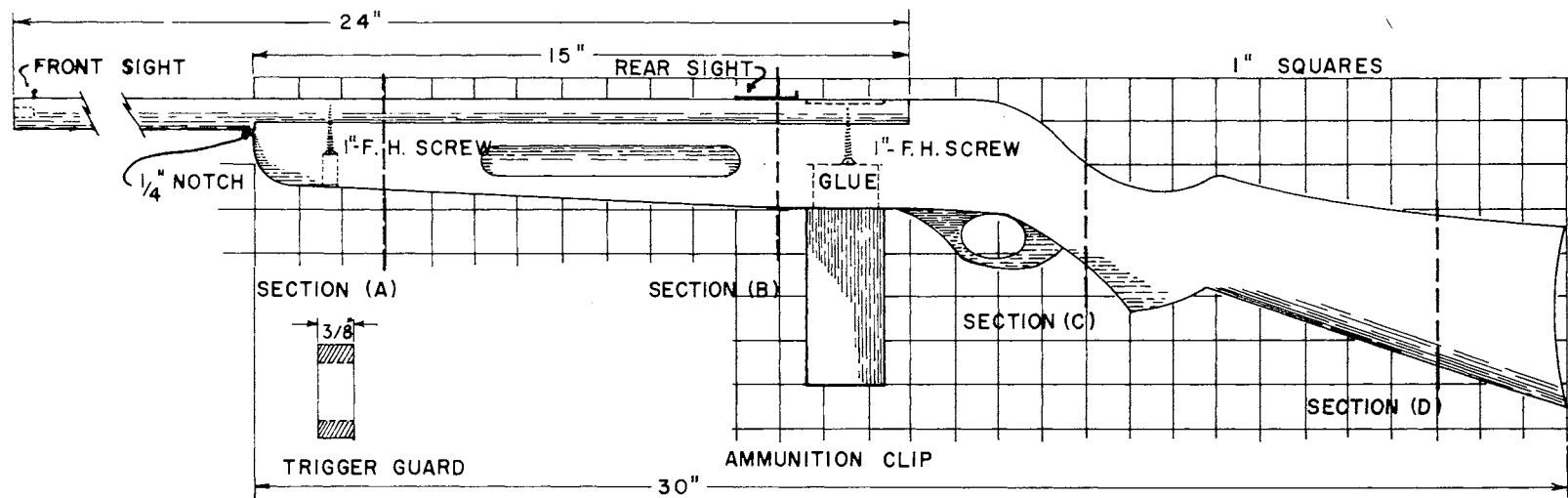
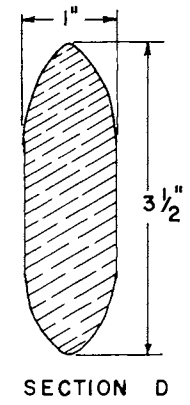
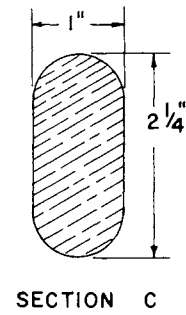
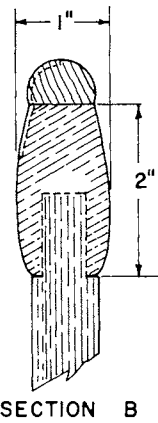
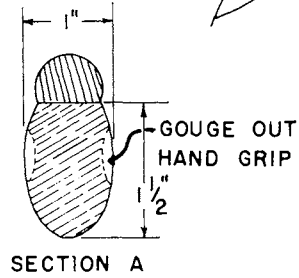
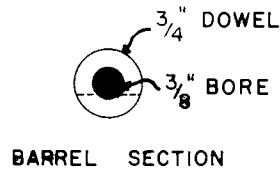
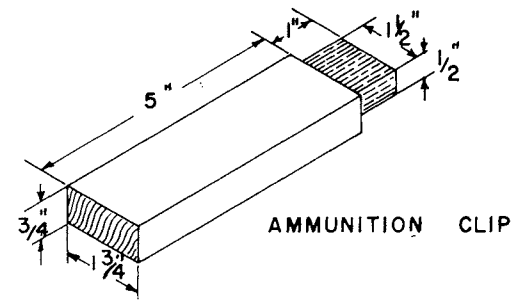
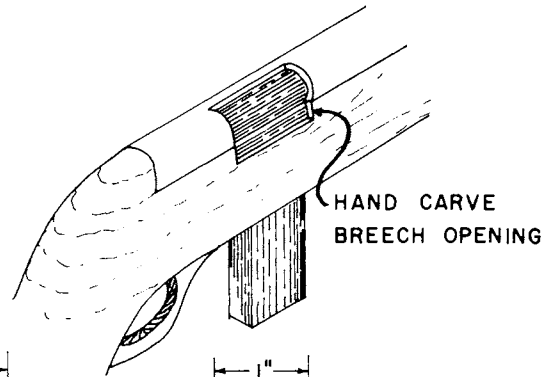
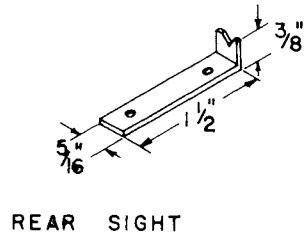


SIDE SECTION



PLAN VIEW



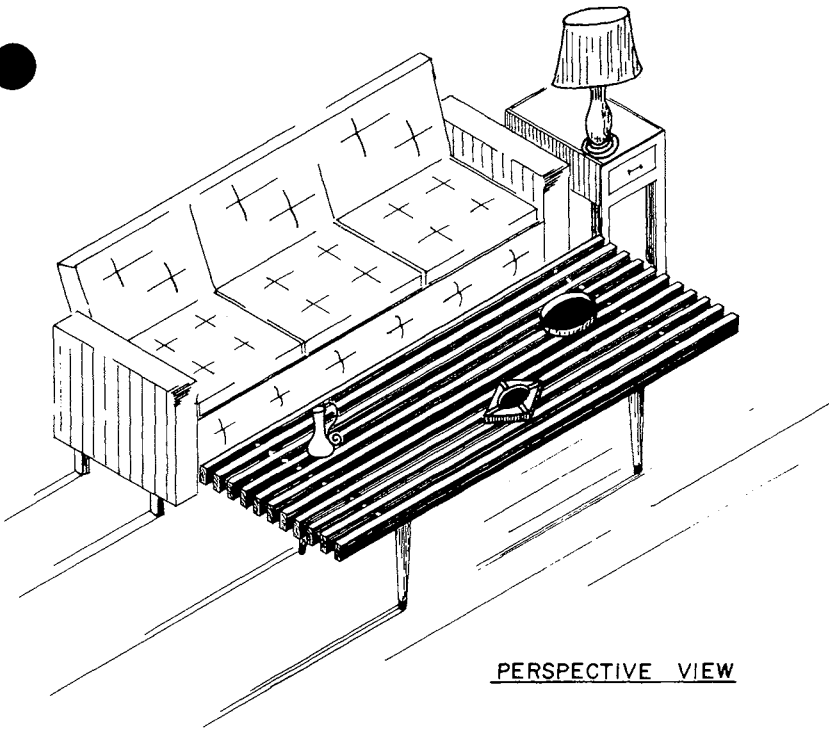


# CARBINE RIFLE

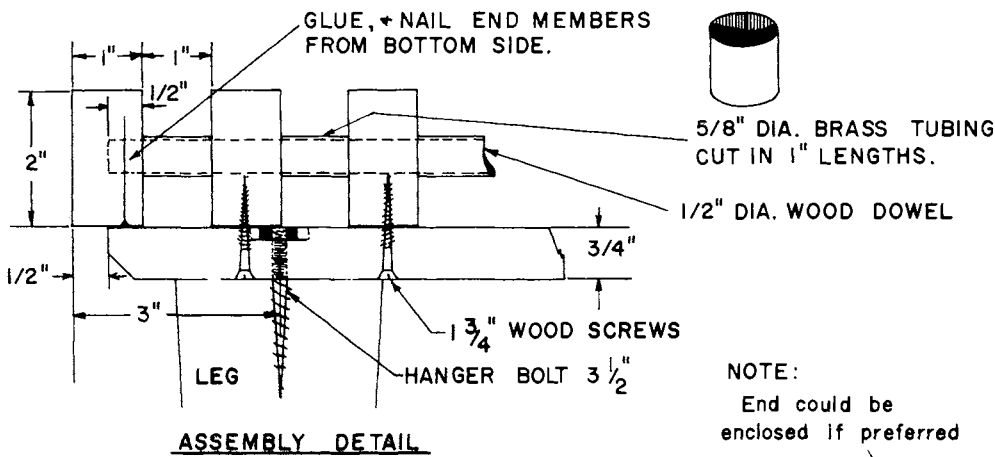
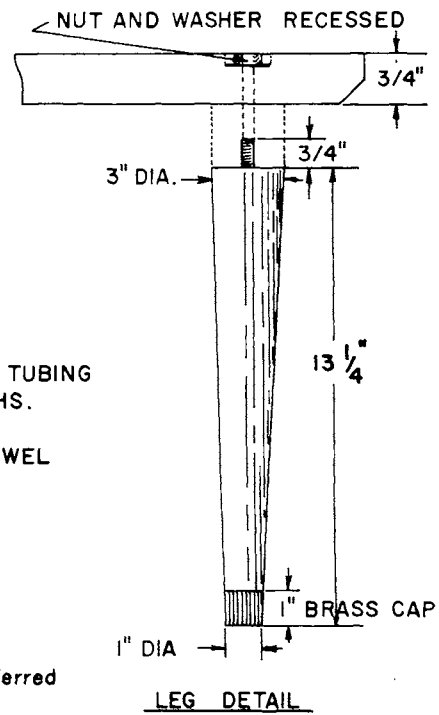
H-5129

# COFFEE TABLE

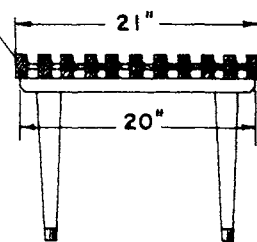
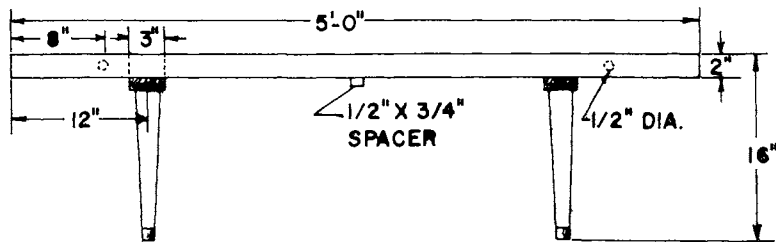
H-5139

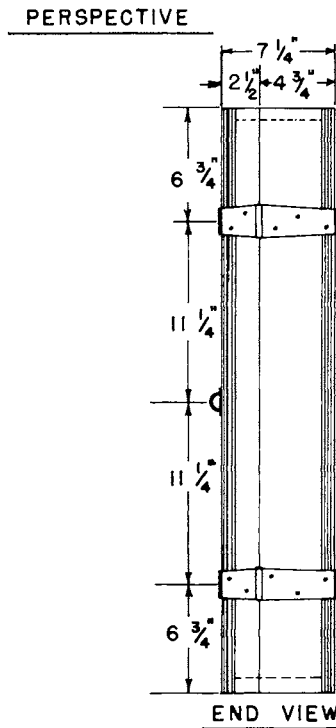
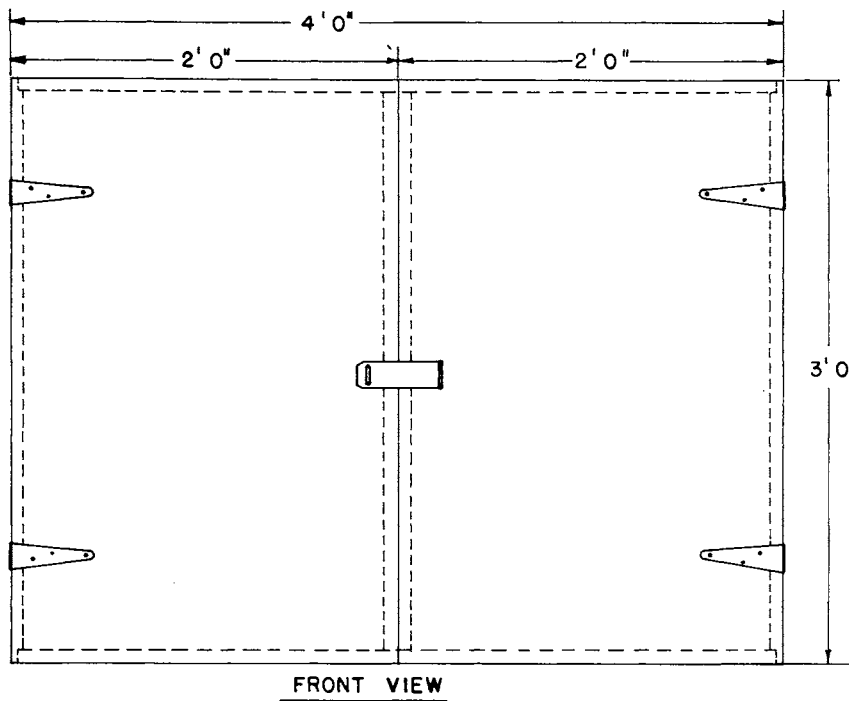
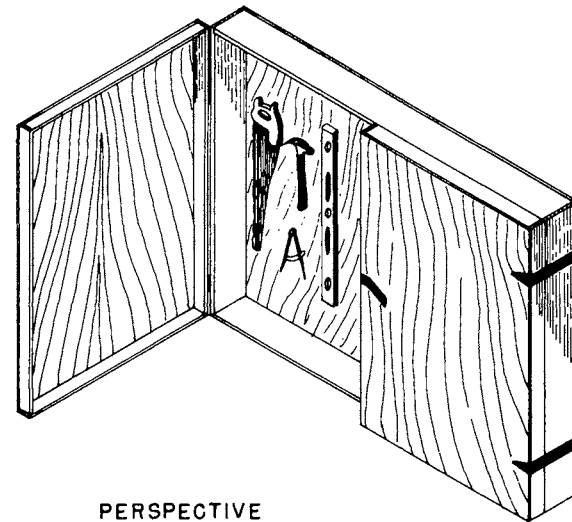
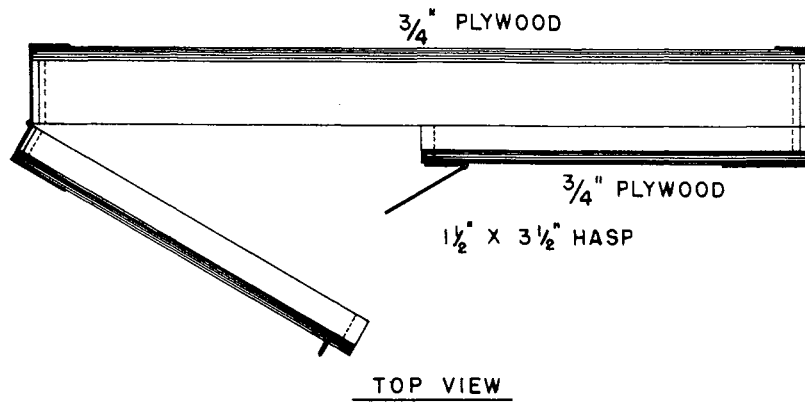


PERSPECTIVE VIEW



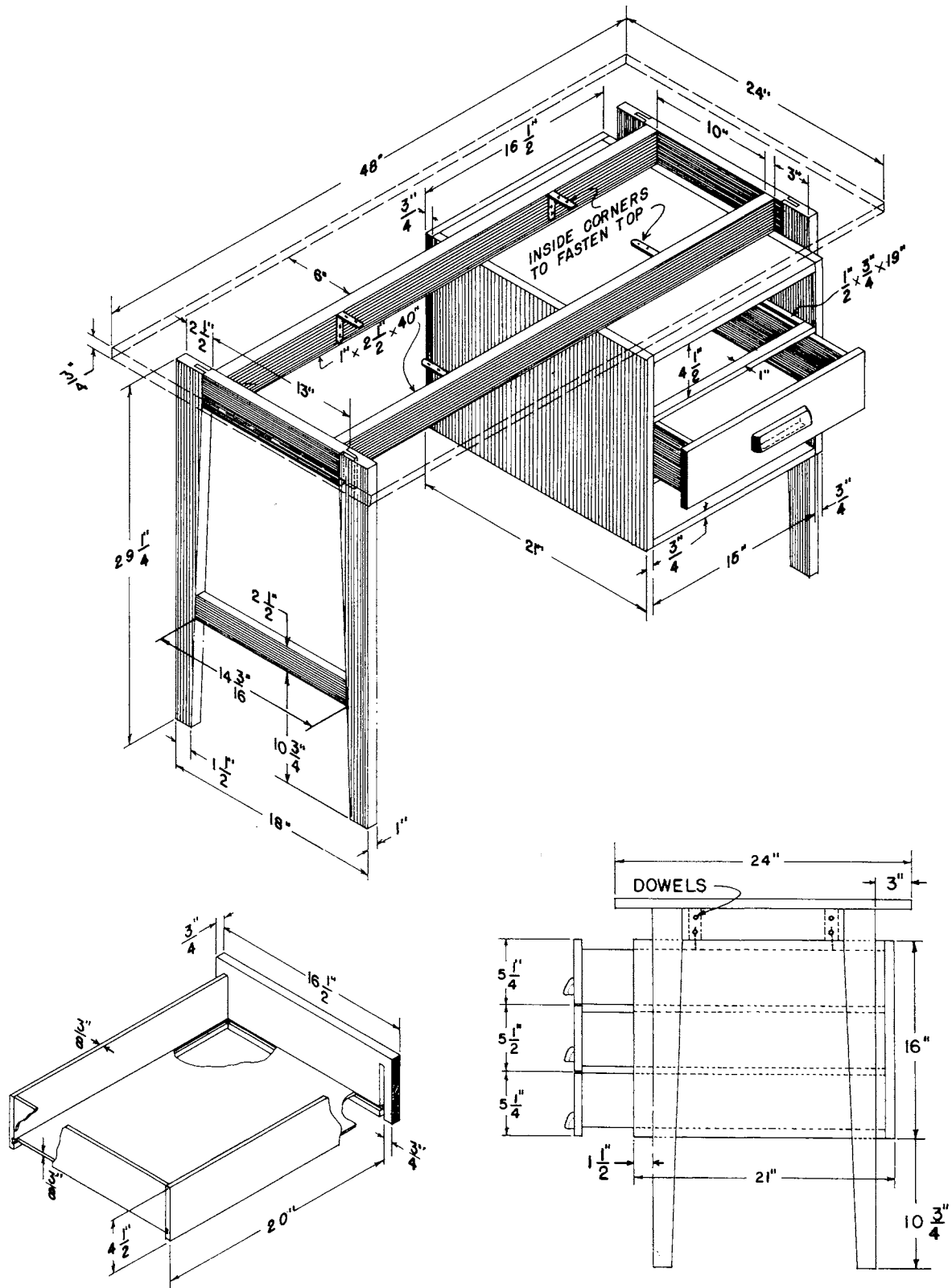
NOTE:  
End could be enclosed if preferred





# TOOL CABINET

H-5149

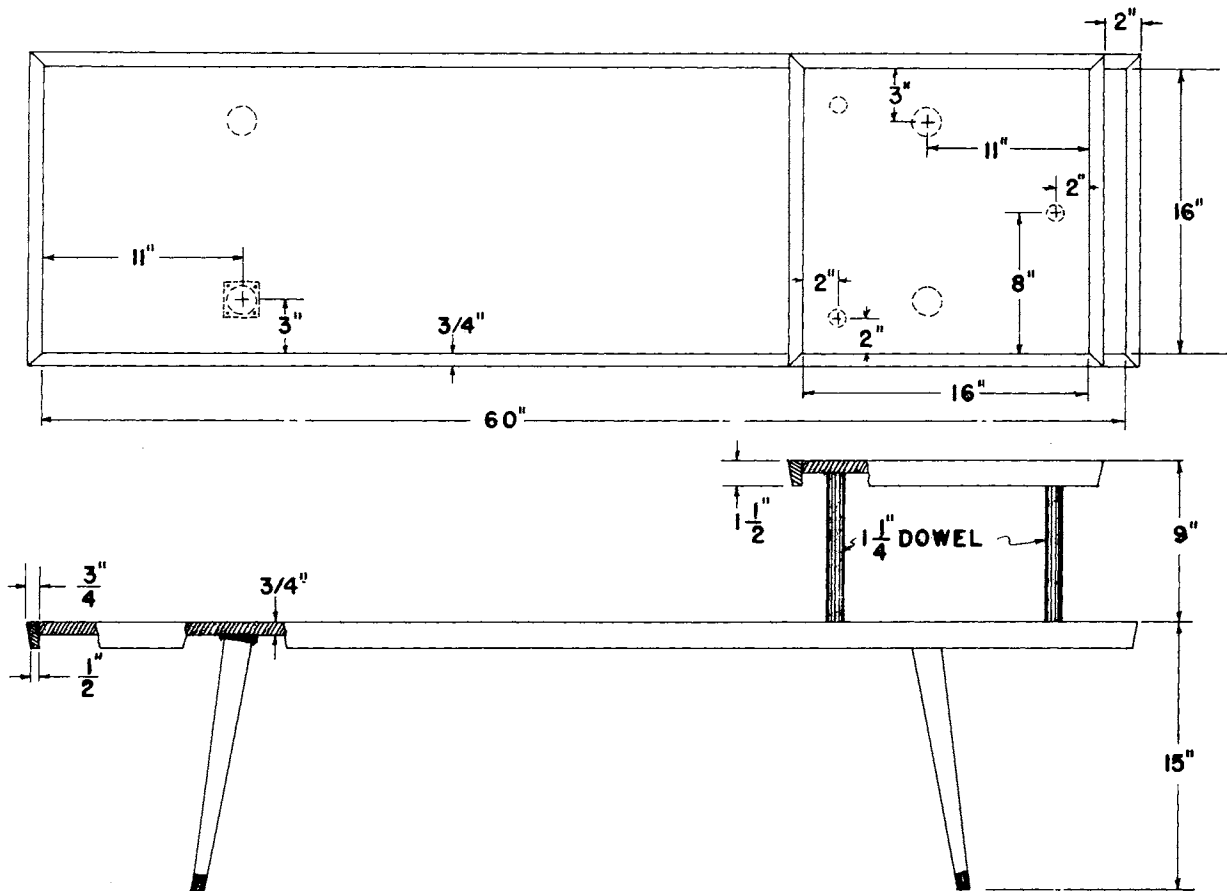
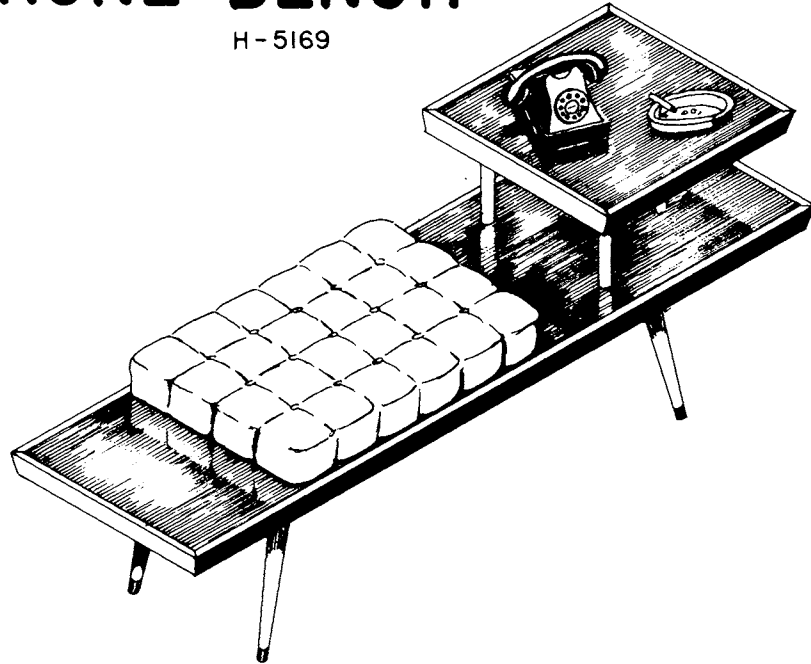


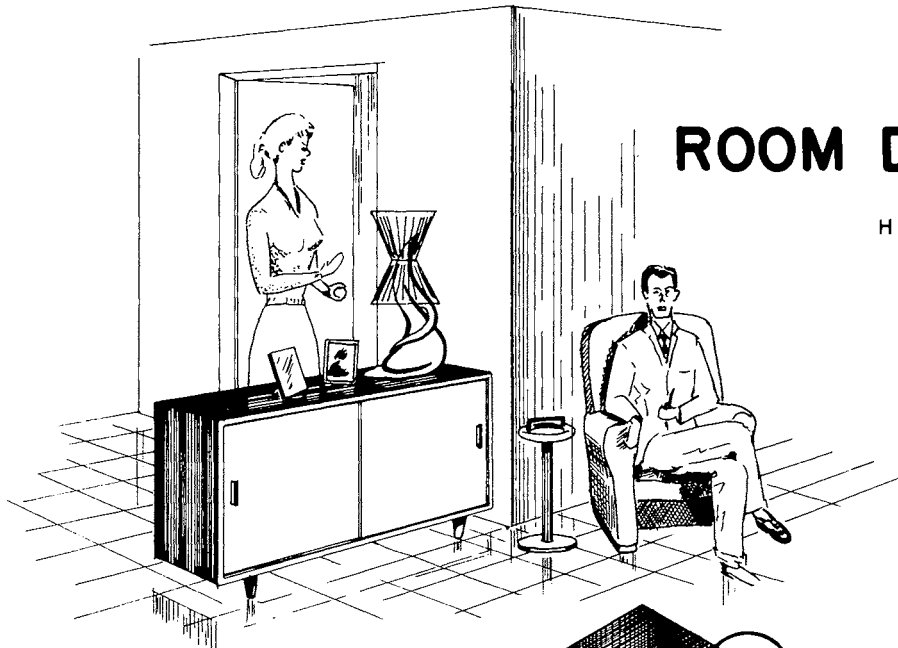
# STUDY DESK

H - 5159

# TELEPHONE BENCH

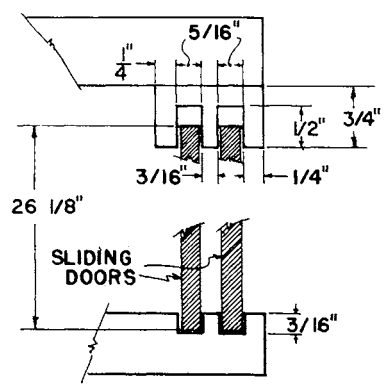
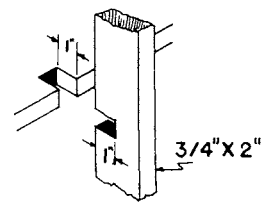
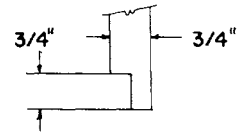
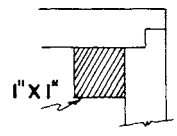
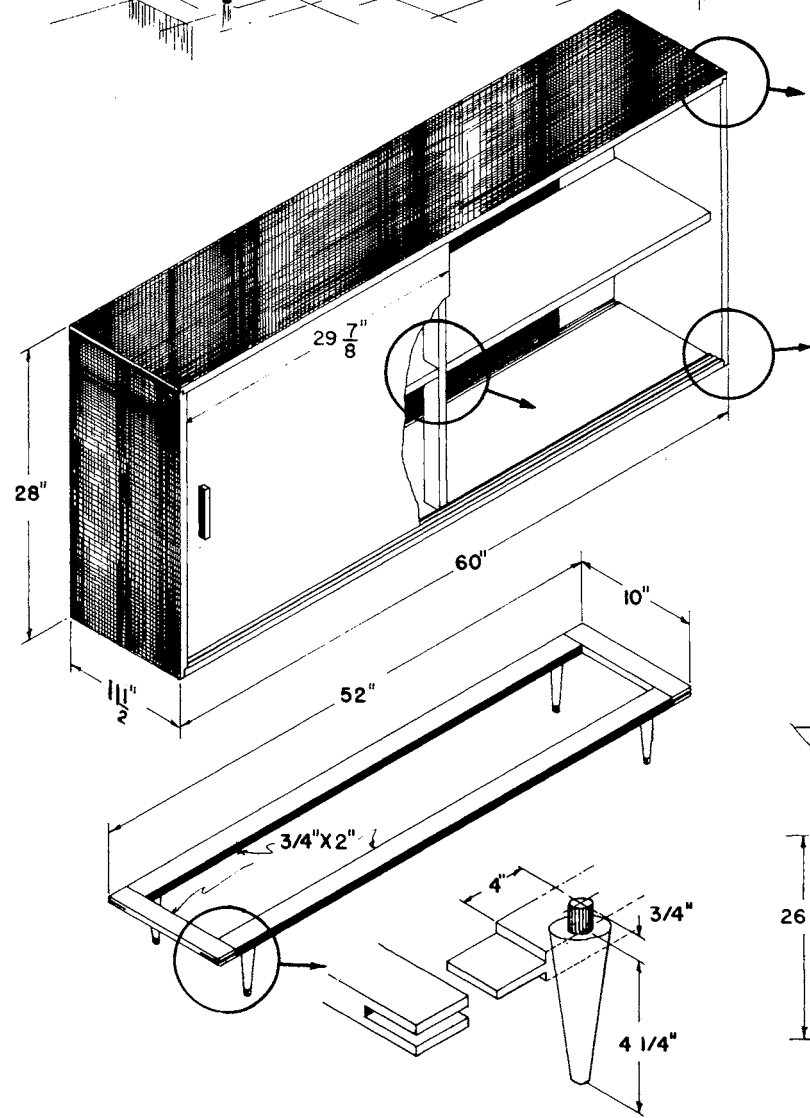
H-5169





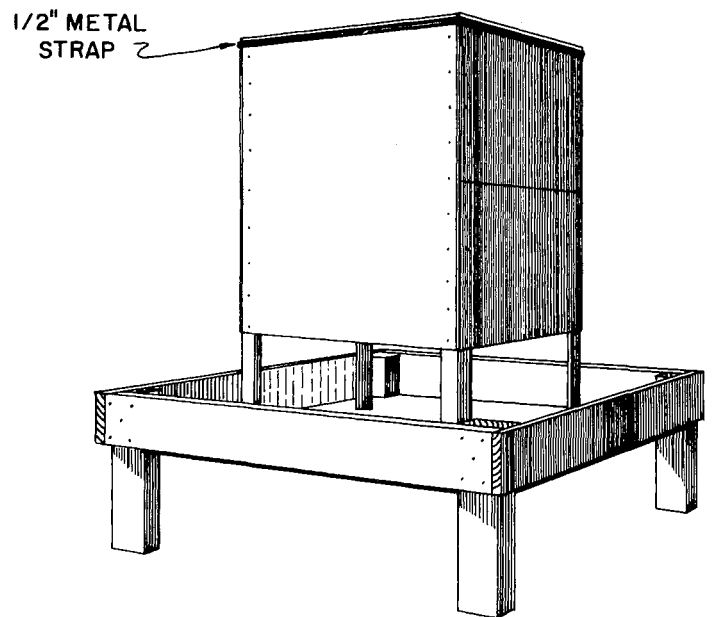
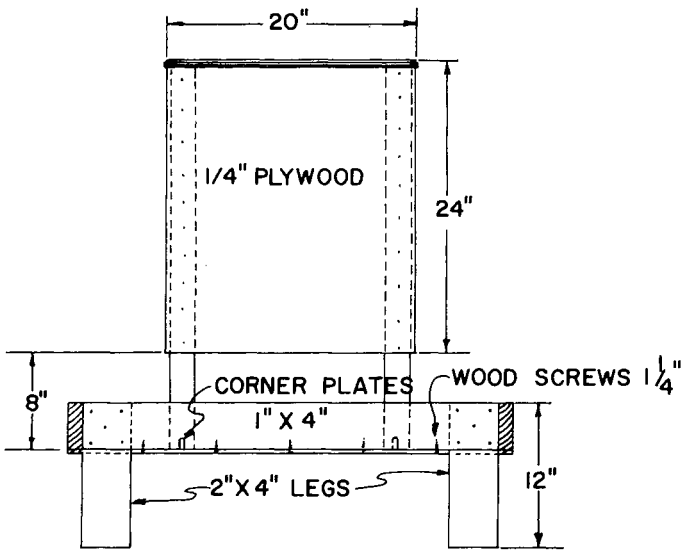
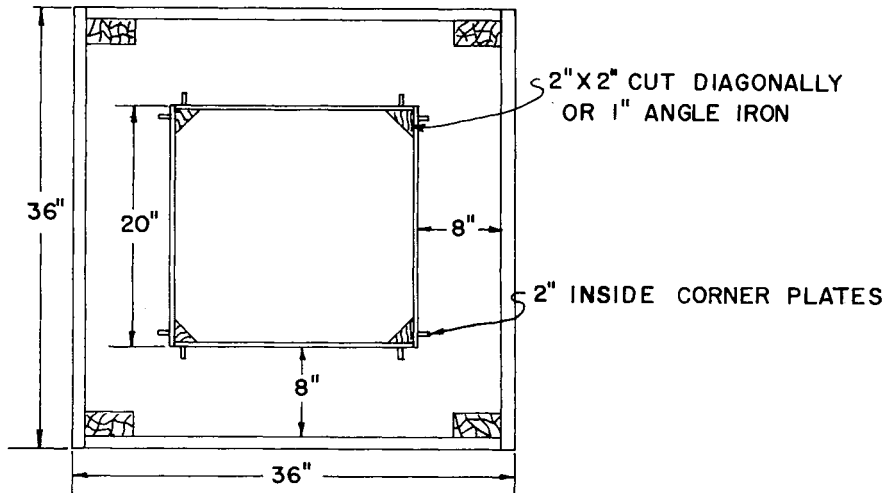
# ROOM DIVIDER

H-5179

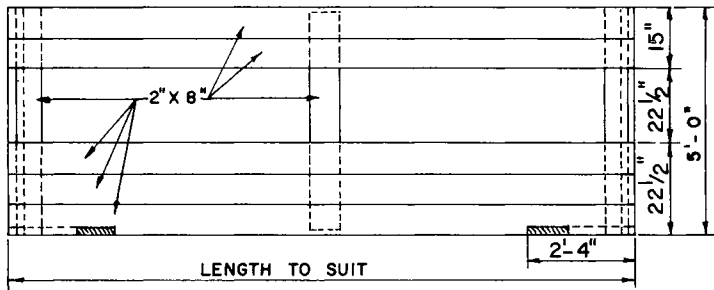
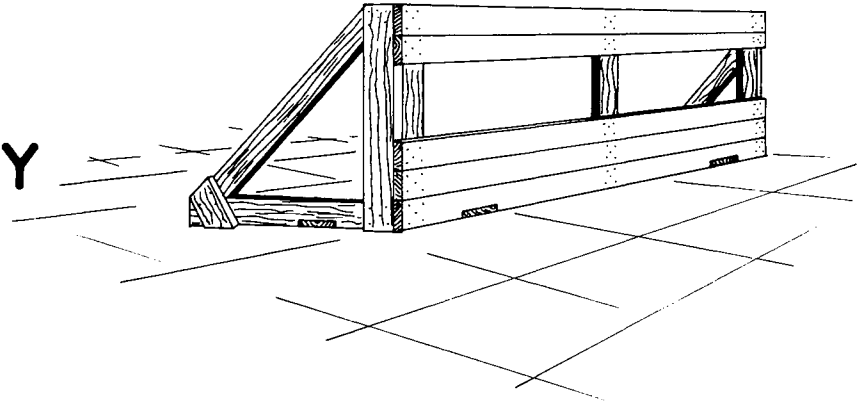


# SHEEP FEEDER

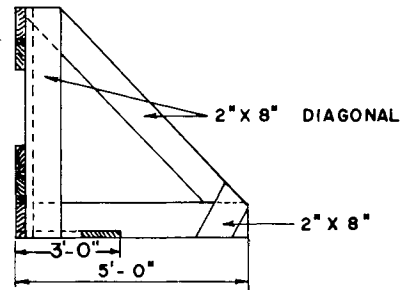
H-5189



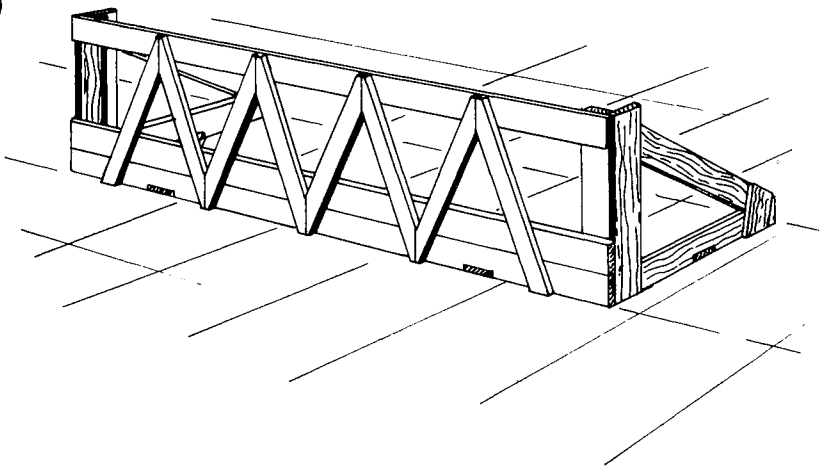
# FEEDER FOR CHOPPED HAY



FRONT VIEW

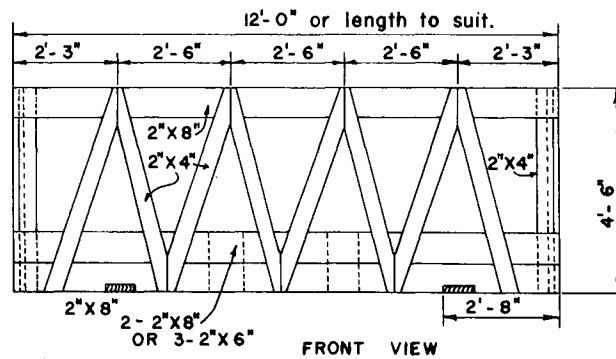


END VIEW

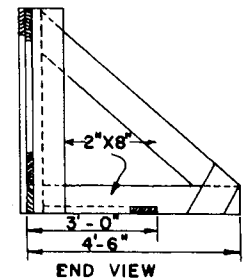


# FEEDER FOR BALED HAY

H-5199



FRONT VIEW

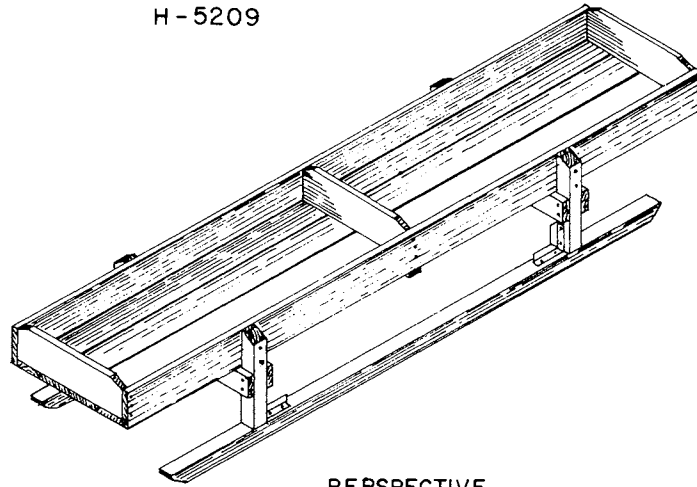


END VIEW

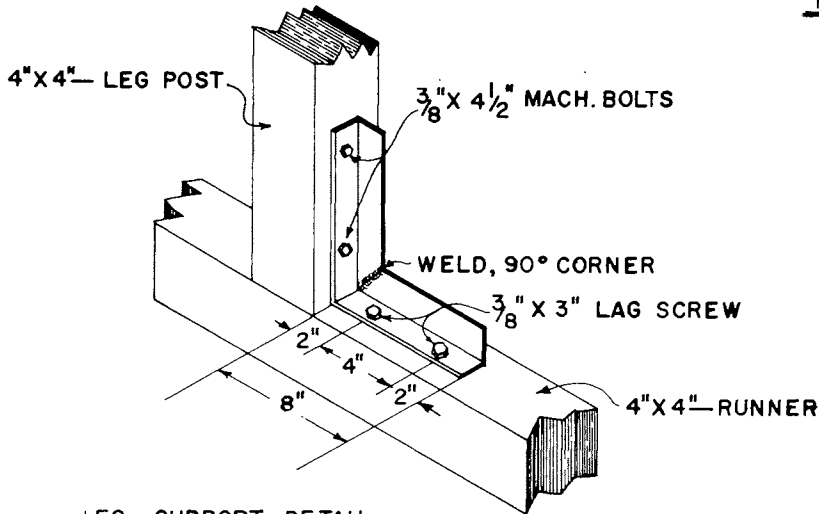


# SILAGE AND GRAIN BUNK

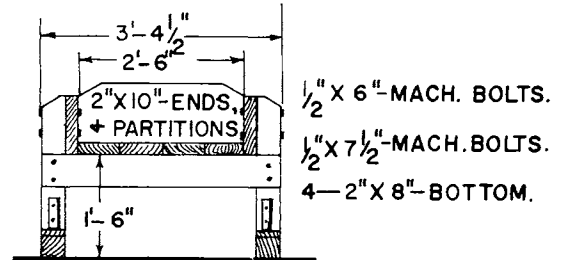
H-5209



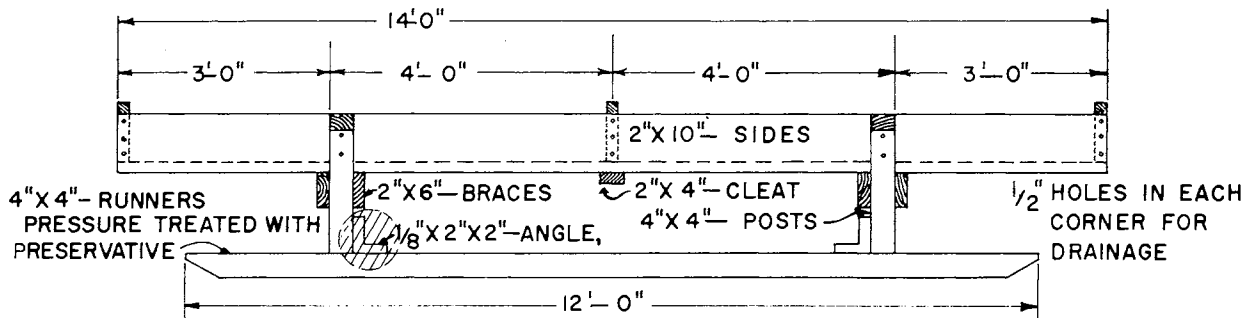
PERSPECTIVE



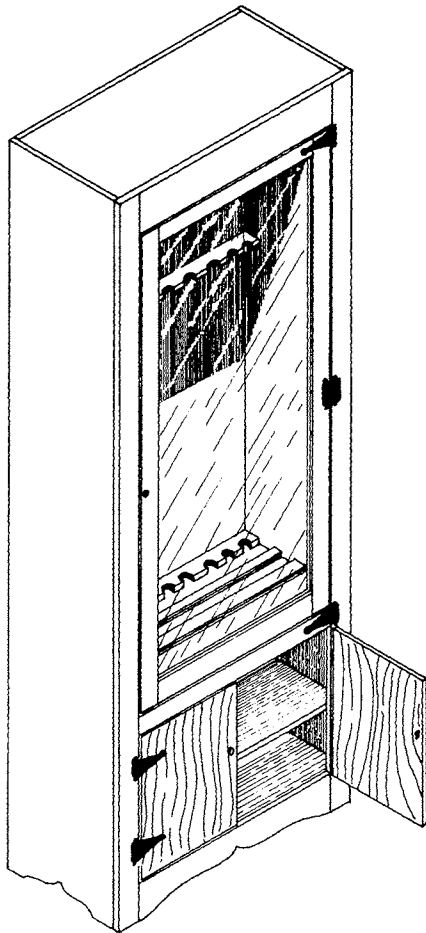
LEG SUPPORT DETAIL



SECTION

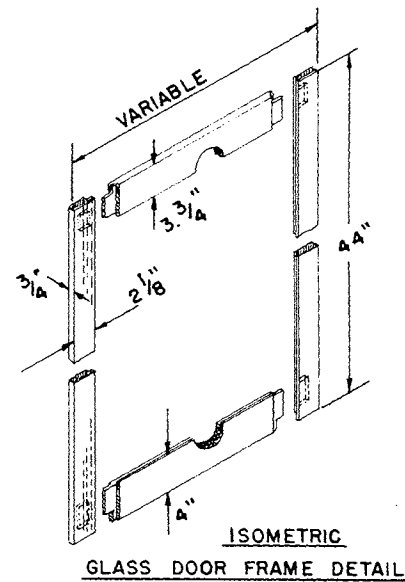
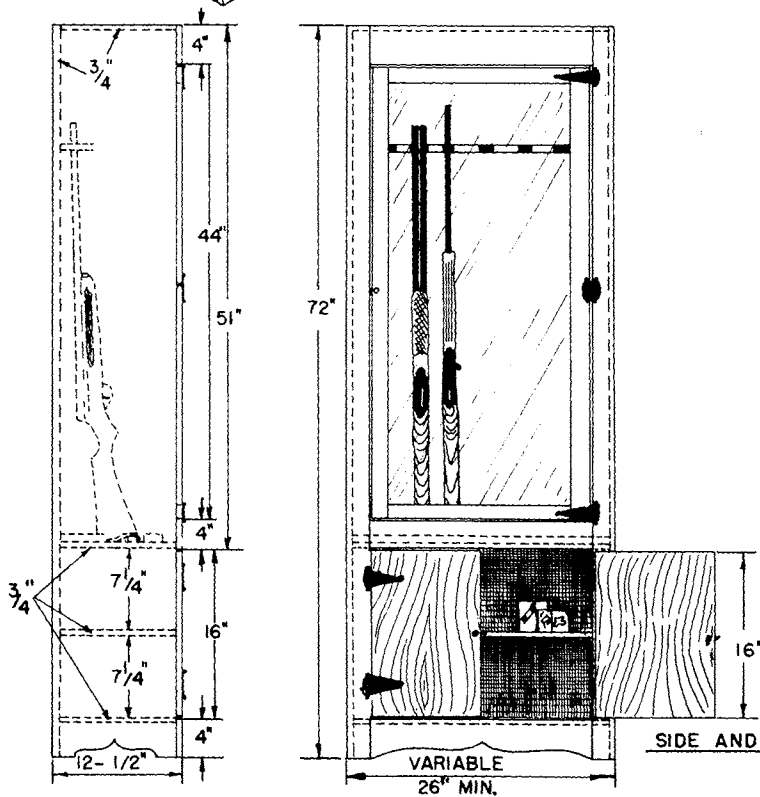
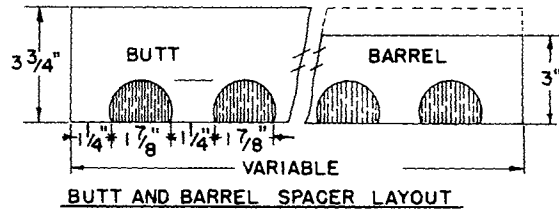
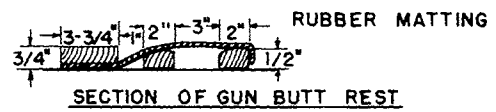


SIDE ELEVATION



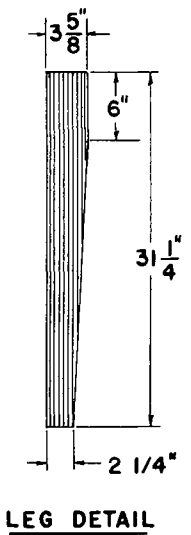
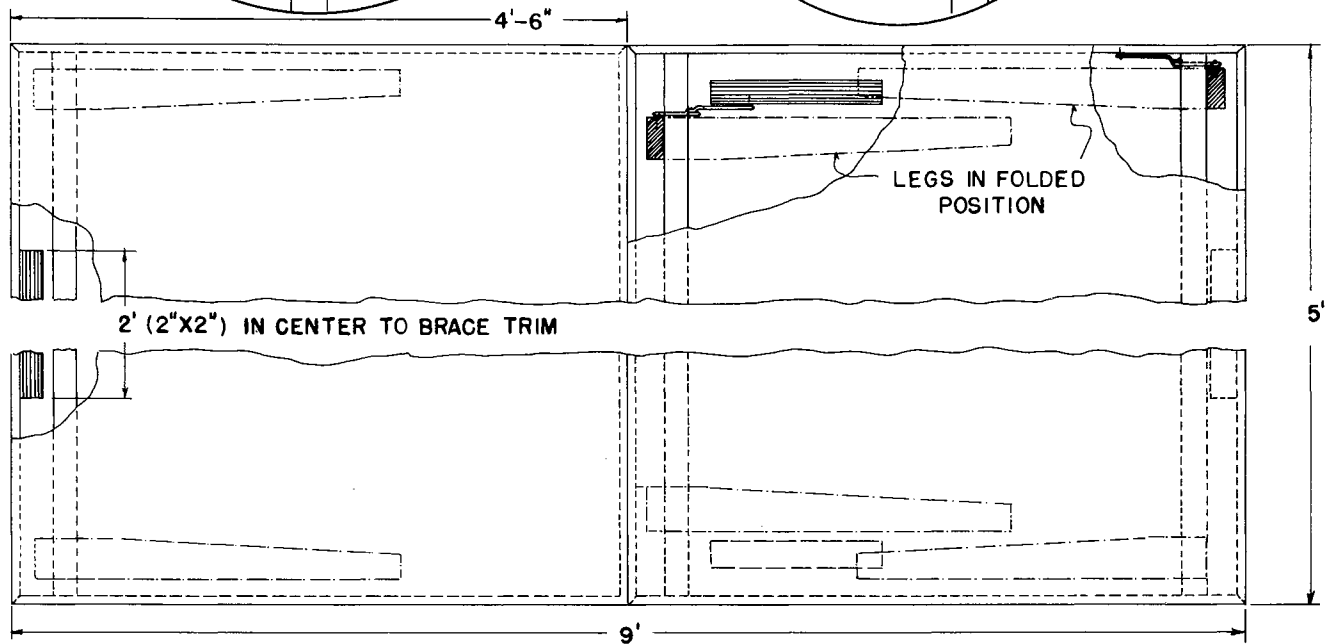
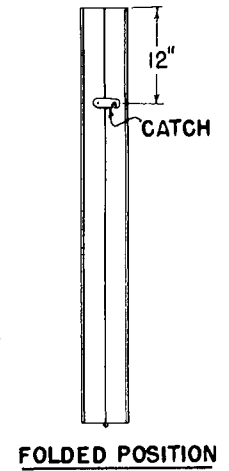
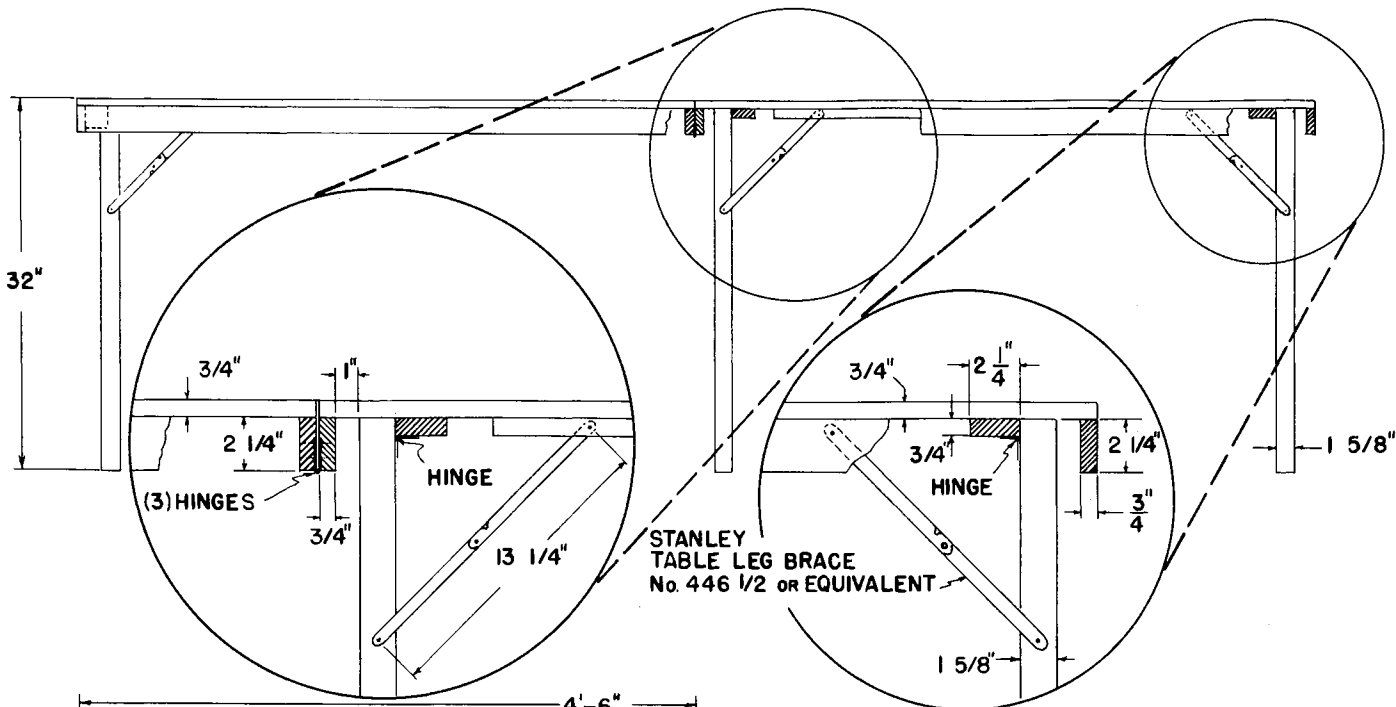
# GUN CABINET

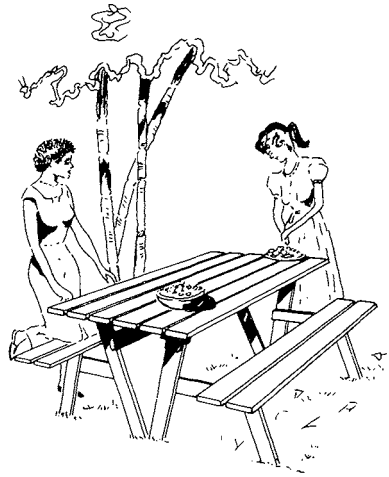
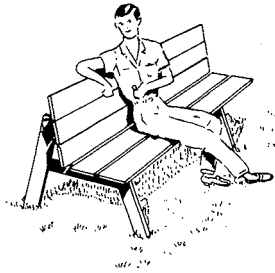
H-5219



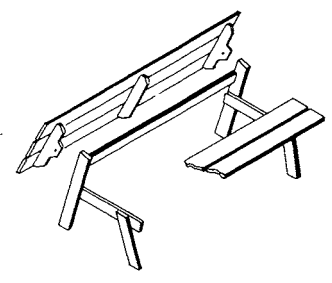
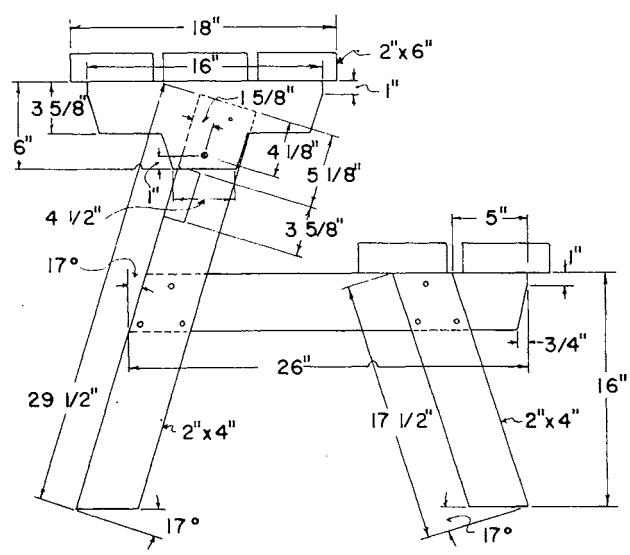
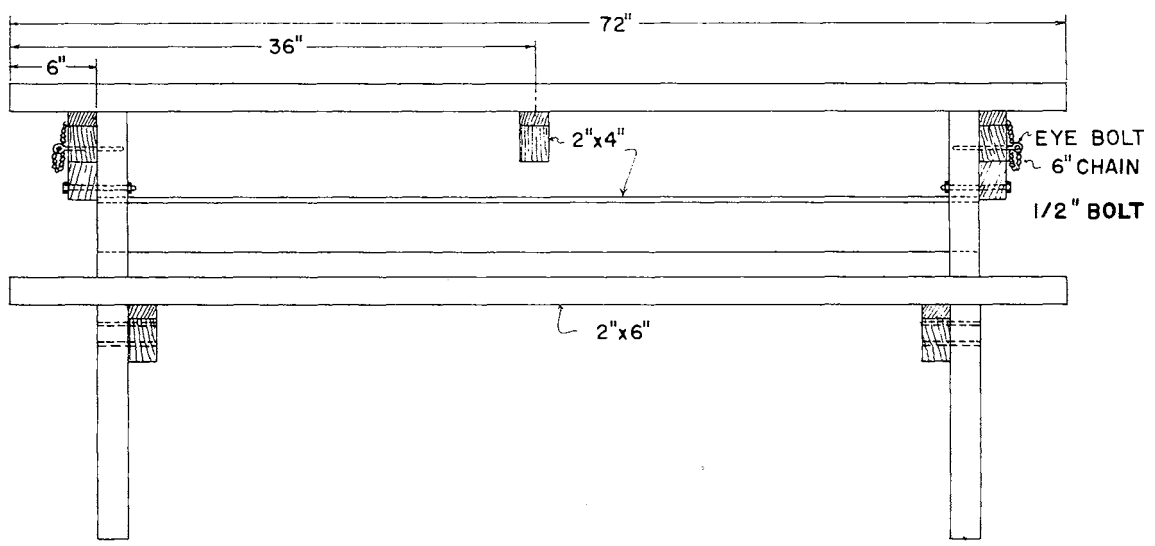
- 1 SURFACE OR HIDDEN HINGES MAY BE USED.
- 2 LOCKS SHOULD BE INSTALLED ON BOTH COMPARTMENTS

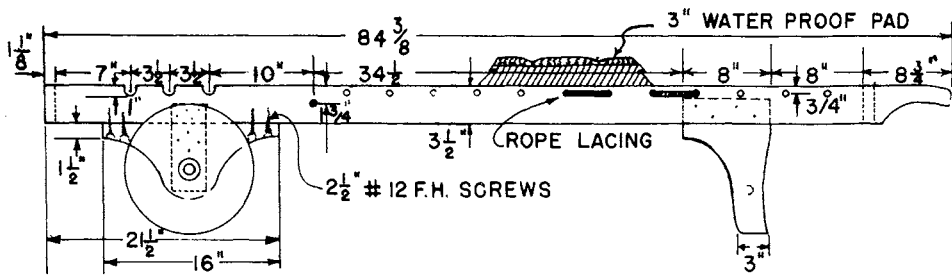
# FOLDING TABLE-TENNIS



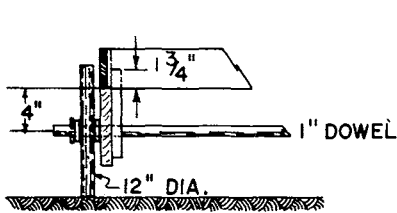
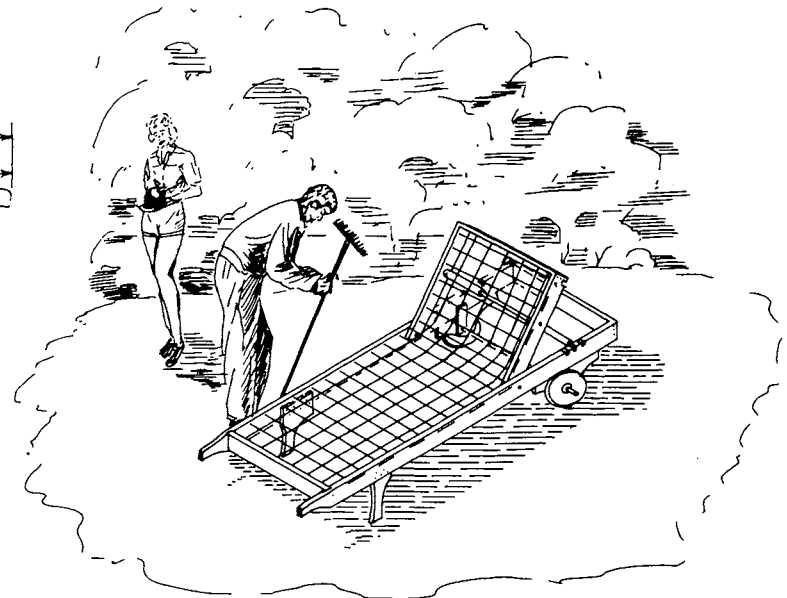


# TABLE - BENCH H-5239

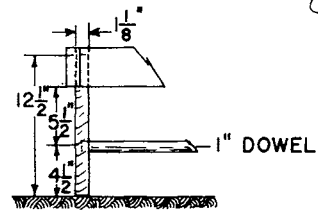




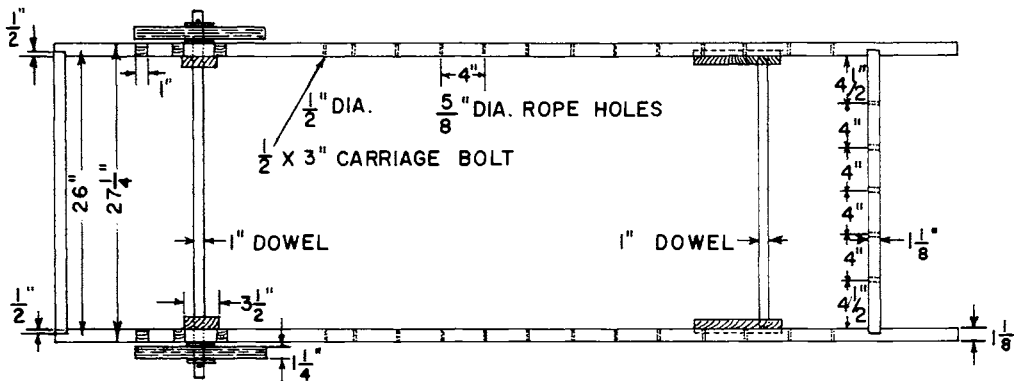
SIDE ELEVATION



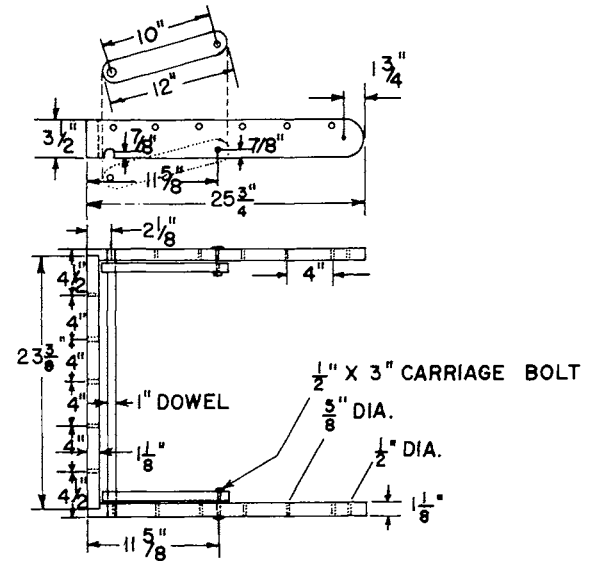
REAR WHEEL DETAIL



FRONT LEG DETAIL



TOP VIEW OF FRAME

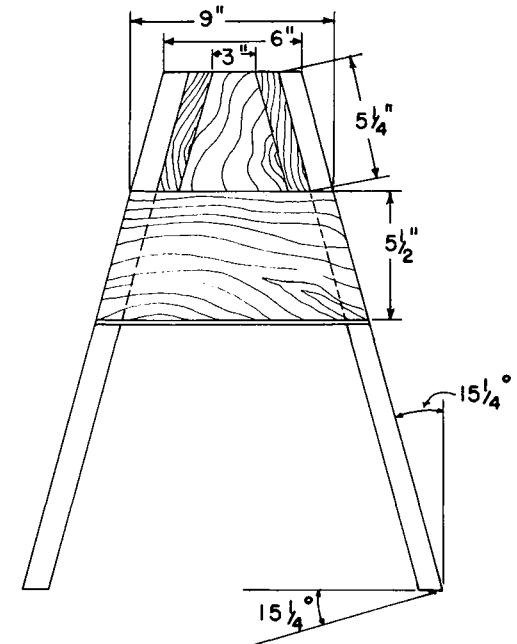
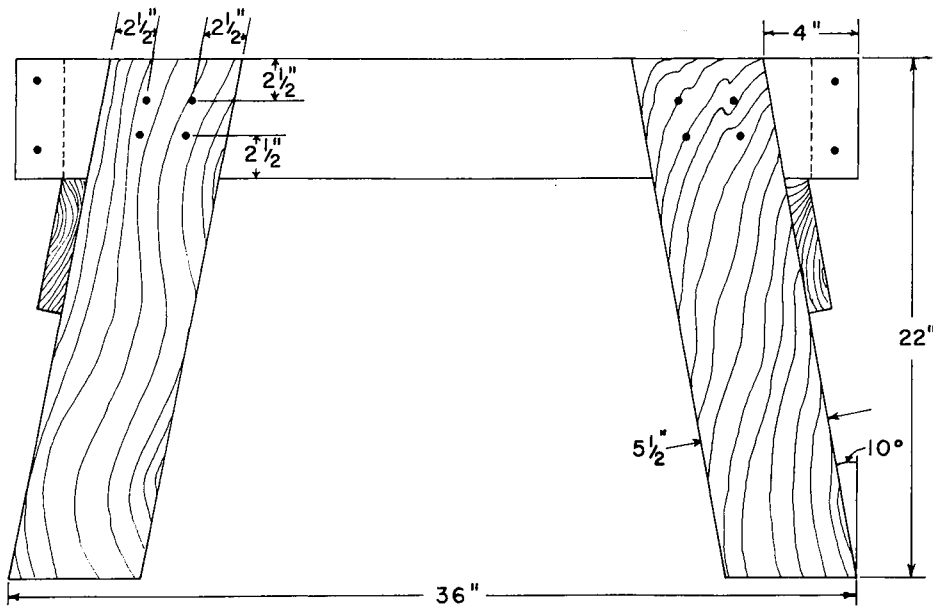
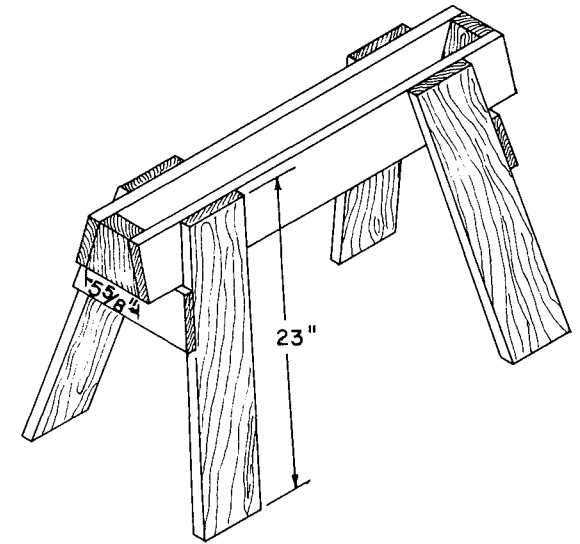
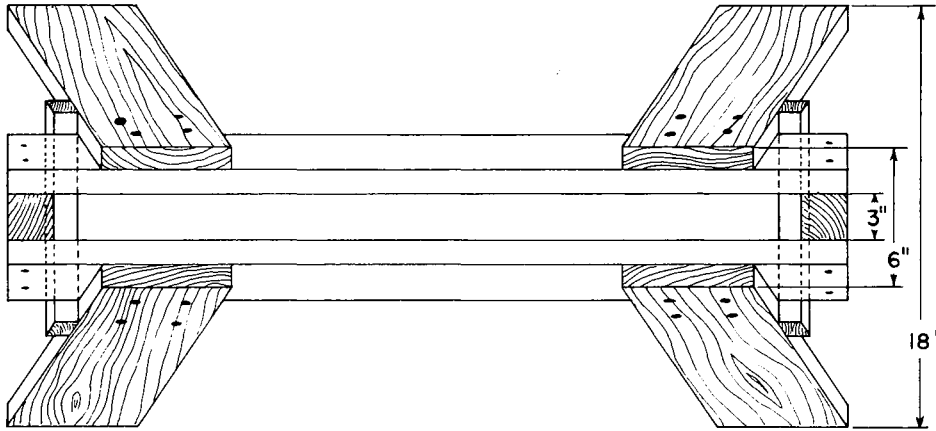


BACK-REST DETAIL

# CHAISE LONGUE H-5249

# OPEN TYPE SAW HORSE

H-5259



UNIVERSITY OF MINNESOTA



3 1951 D01 783 077 8